



FIBRAMÉRICA



CATALOG
Cabinets



FIBRAMÉRICA

Complete solutions for the intelligent development of fiber optic networks

FIBRAMÉRICA - Minqing Tancome Technology is a leading company in the design, development, manufacture and marketing of optical connectivity solutions for operators, distributors and importer installers worldwide.

With its headquarters located in China, it has offices in Shanghai and Ningbo. In the Americas, it has a strategic unit located in Brazil, where it offers commercial and technical support to customers in the same time zone and language.

Through continuous improvements in production processes, the implementation of new technologies and communication resources, FIBRAMÉRICA guarantees competitive prices, fast production times, purchasing facilities and support to follow up the manufacturing and transportation processes of the products.

All Fibramérica products are manufactured according to international quality norms and standards (ISO9001).

FIBRAMÉRICA's team is composed of specialized professionals with long experience in the telecommunications market, who work closely with customers in their stock material requirements as well as in bidding and homologation projects.

FIBRAMERICA focuses on the development of new products according to the needs of each project, from the conception, production of prototypes and technical material, to the final manufacturing of the product.

We currently have products approved by important telecommunication operators in the continent through our local distributors, both in America and Europe.



FAB-K3 Server Cabinet

Standard

Comply with ANS/EIA, RS-310-D, IEC297-2, DIN41491, PART1, DIN41494, PART7, GB/T3047.2-92 ETSI standard.

Features

- Noble and elegant appearance, exquisite workmanship, precision size;
- The frame is made of nine folds structure and welded by special ground nut with high strength;
- 19" standard installation, depth installation with adjustable dimension; height in U for unit with adjustable to meet client installation requirements;
- High density flat hexagonal mesh front door, double open flat hexagonal mesh back door, front and back door with advanced spring lock with turning angle above 120 degrees.
- Ventilation rate above 71% to meet the need of ventilation and heat dissipation;
- Pre-punched holes for cabling at top, three section cable entry on bottom panel with adjustable size;
- Three section quickly open side door, every section can be opened separately;
- 487mm wide installation space to make more equipment installation realized.

Loading Capacity

Static loading: 1000kg

Static loading: 1600kg (optional 2 auxiliary mounting profiles)

Degree of Protection

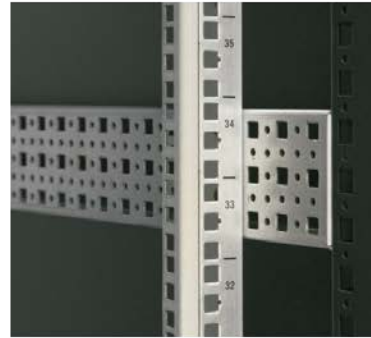
IP20

Surface Finish

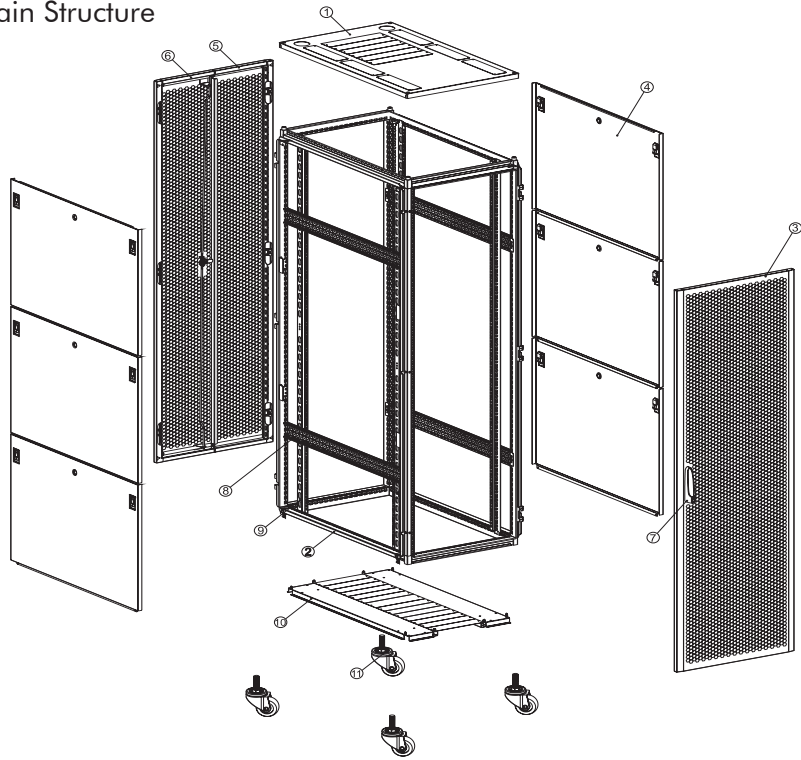
Degreasing, phosphoric, silane, powder coated

Optional

Fixed shelf, fan unit, PDU, cable management, keyboard tray, blank panel



Main Structure




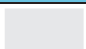
- 1.Top cover 2.Nine folded frame 3.Front door 4.Side panel 5.Left rear door 6.Right rear door 7.Advanced spring lock
8.Mounting angle 9. Mounting profile 10.Tray 11.2" heavy duty castor

Main parts:

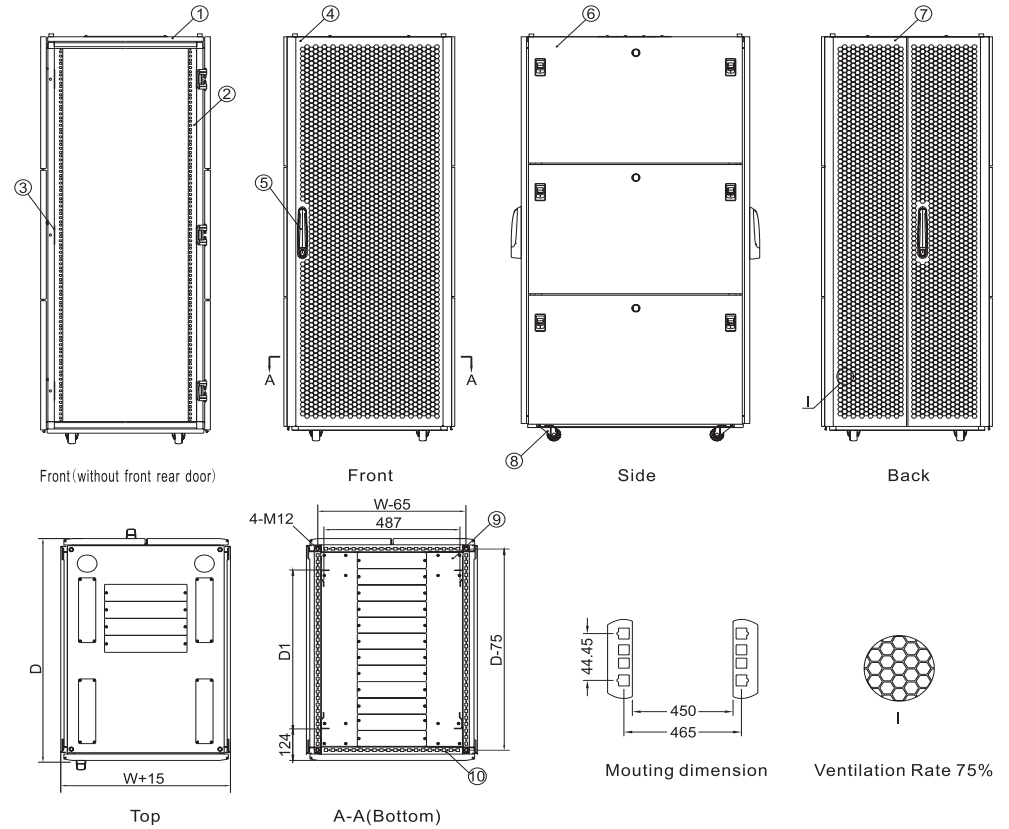
S/N	Specification	Quantity	Unit	Material	Surface finish	Remark
1	Top cover	1	Piece	SPCC cold rolled steel t1.2	Powder coated	-----
2	Nine folded frame	1	Piece	SPCC cold rolled steel t1.5	Powder coated	-----
3	Front door	1	Piece	SPCC cold rolled steel t1.2	Powder coated	Single section vented door
4	Side panel	2	Piece	SPCC cold rolled steel t1.2	Powder coated	Steel door with lock
5	Left rear door	1	Piece	SPCC cold rolled steel t1.2	Powder coated	Vented door
6	Right rear door	1	Piece	SPCC cold rolled steel t1.2	Powder coated	Vented door
7	Advanced spring lock	2	Piece	-----	-----	With 4 keys
8	Mounting angle	4/6	Piece	Flowerless galvanized sheet t1.5	Material	-----
9	Mounting profile	4	Piece	Flowerless galvanized sheet t2.0	Material	-----
10	Tray	1	Piece	SPCC cold rolled steel t1.2	Powder coated	-----
11	2" heavy duty castor	4	Piece	-----	-----	-----
12	Adjustable feet	4	Piece	-----	-----	-----
13	Spacer	8/12	Piece	SPCC cold rolled steel t1.5	Powder coated	For 800mm width cabinet only

Note: width 800mm and above 32U cabinets with 12 spacer, lower 32U with 8 spacer.

Colour of cabinet:

Colour Standard	Normal Colour		
Standard	RAL9004 	RAL7035 	Other color

Main Dimension



- 1.Top cover 2.Mounting profile 3.Mounting angle 4.Front door 5.Advanced and elegant lock 6.Side panel 7.Rear door
8. 2" Heavy duty castor 9.Tray 10.Nine fold frame

Standard FAB-K3 Server Cabinet specification(excluding castor height)						
Model no.	Width (mm)	Depth (mm)	Height (mm)	Capacity (U)	Packing dimension	Volume (CBM)
FAB-K3-6632	600	600	1600	32	640*640*1610	0.66
FAB-K3-6832		800			640*840*1610	0.87
FAB-K3-6032		1000			640*1040*1610	1.07
FAB-K3-6637	600	600	1800	37	640*640*1810	0.74
FAB-K3-6837		800			640*840*1810	0.97
FAB-K3-6037		1000			640*1040*1810	1.20
FAB-K3-6642	600	600	2000	42	640*640*2010	0.82
FAB-K3-6842		800			640*840*2010	1.08
FAB-K3-6042		1000			640*1040*2010	1.34
FAB-K3-8842	800	800	2000	42	840*840*2010	1.42
FAB-K3-8042		1000			840*1040*2010	1.76
FAB-K3-8647		600			640*640*2210	1.18
FAB-K3-8847	800	800	2200	47	640*840*2210	1.56
FAB-K3-8047		1000			640*1040*2210	1.93

FAB-PR Server Cabinet

Standard

Comply with ANS/EIA, RS-310-D, IEC297-2, DIN41491, PART1, DIN41494, PART7, GB/T3047.2-92 ETSI standard.

Features

- Noble and elegant appearance, exquisite workmanship, precision size;
- Assembled frame structure, assembled and disassembled shipment, maximize save shipping costs;
- 19" standard installation, depth installation with adjustable dimension; height in U for unit with adjustable to meet client installation requirements;
- High density flat hexagonal mesh front door, double open flat hexagonal mesh back door, front and back door with advanced spring lock with turning angle above 120 degrees.
- Ventilation rate above 71% to meet the need of ventilation and heat dissipation;
- Pre-punched holes for cabling with brush at top and back, three section cable entry on bottom panel with adjustable size;
- Two section quickly open side door, at same time can meet with side door parallel cabinet installation;
- Adjustable feel and heavy duty castors are available at same time, convenient to move or fix.

Loading Capacity

Static loading: 1000kg

Static loading: 1800kg (optional 2 auxiliary mounting profiles)

Degree of Protection

IP20

Surface Finish

Degreasing, phosphoric, silane, powder coated

Optional

Fixed shelf, fan unit, PDU, cable management, keyboard tray, blank panel



Mounting profile installation



U mark mounting profile



Once formed door plate



Top cover (brush)



Bottom (cable cover)



Removable side panel



Shunting rail (optional)



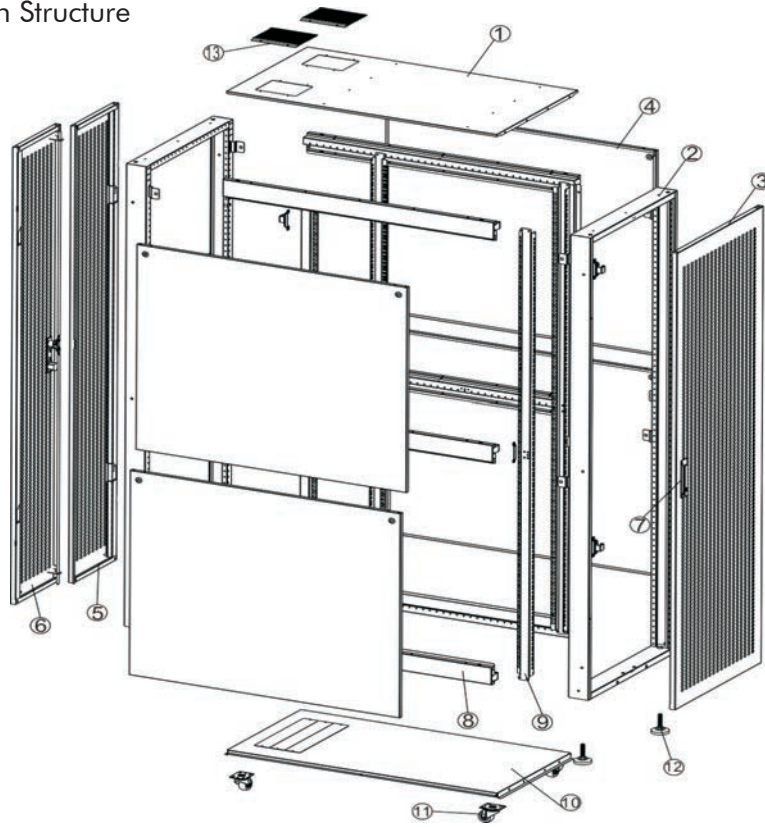
Embedded installation PDU



Main parts with earthing knitts can connect with each other



Main Structure

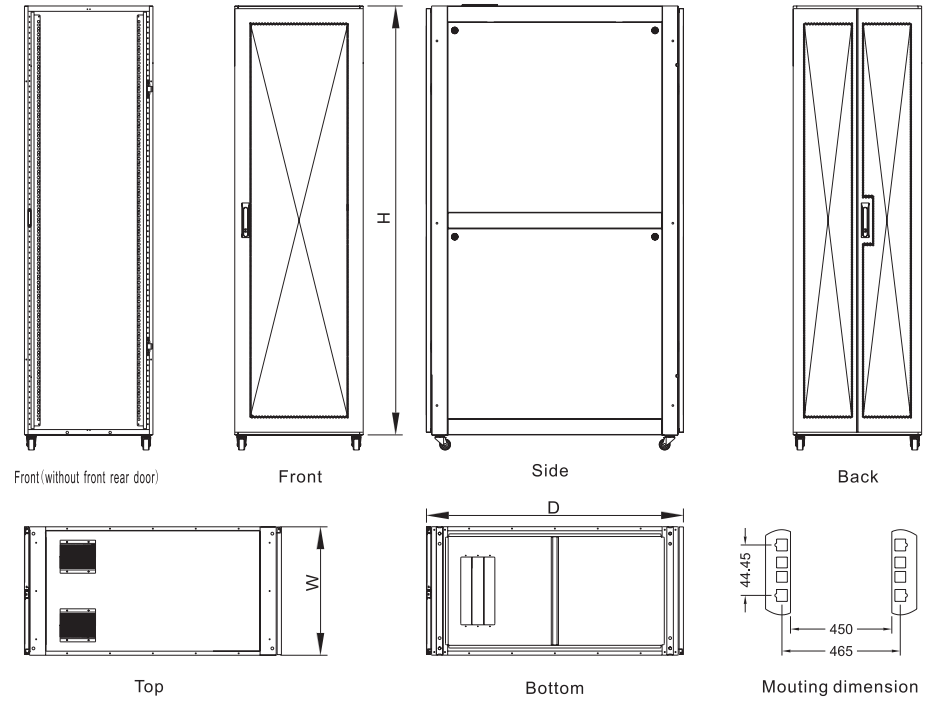


- 1.Top cover 2.Frame 3.Front door 4.Side panel 5.Left rear door 6.Right rear door 7.Advanced spring lock
- 8.Side mounting angle 9.Mounting profile 10.Bottom panel 11.2" heavy duty castor 12. Adjustable feet 13. Brush

Main parts:

S/N	Specification	Quantity	Unit	Material	Surface finish	Remark
1	Top cover	1	Piece	SPCC cold rolled steel t0.8	Powder coated	----
2	Frame	2	Piece	SPCC cold rolled steel t1.5	Powder coated	----
3	Front door	1	Piece	SPCC cold rolled steel t1.2	Powder coated	Single section vented door
4	Side panel	2	Piece	SPCC cold rolled steel t0.8	Powder coated	Steel door with lock
5	Left rear door	1	Piece	SPCC cold rolled steel t1.2	Powder coated	Vented door
6	Right rear door	1	Piece	SPCC cold rolled steel t1.2	Powder coated	Vented door
7	Advanced spring lock	2	Piece	----	----	With 4 keys
8	Side mounting angle	6	Piece	SPCC cold rolled steel t1.5	Powder coated	----
9	Mounting profile	4	Piece	SPCC cold rolled steel t2.0	Powder coated	----
10	Bottom panel	1	Piece	SPCC cold rolled steel t0.8	Powder coated	----
11	2" heavy duty castor	4	Piece	----	----	----
12	Adjustable feet	4	Piece	----	----	----
13	Brush	2	Piece	----	----	----

Main Dimension



Standard FAB-PR Server Cabinet specification(excluding castor height)

Model no.	Width (mm)	Depth (mm)	Height (mm)	Capacity (U)	Packing dimension	Volume (CBM)
FAB-PR-6632	600	600	1600	32	640*640*1610	0.66
FAB-PR-6832		800			640*840*1610	0.87
FAB-PR-6032		1000			640*1040*1610	1.07
FAB-PR-6637	600	600	1800	37	640*640*1810	0.74
FAB-PR-6837		800			640*840*1810	0.97
FAB-PR-6037		1000			640*1040*1810	1.20
FAB-PR-6642	600	600	2000	42	640*640*2010	0.82
FAB-PR-6842		800			640*840*2010	1.08
FAB-PR-6042		1000			640*1040*2010	1.34
FAB-PR-8842	800	800	2000	42	840*840*2010	1.42
FAB-PR-8042		1000			840*1040*2010	1.76
FAB-PR-8647	800	600	2200	47	640*640*2210	1.18
FAB-PR-8847		800			640*840*2210	1.56
FAB-PR-8047		1000			640*1040*2210	1.93

Colour of cabinet:

Colour Standard	Normal Colour		
Standard	RAL9004	RAL7035	Other color

FAB-G2 Network Cabinet

Standard

Comply with ANS/EIA, RS-310-D, IEC297-2, DIN41491, PART1, DIN41494, PART7, GB/T3047.2-92 ETSI standard.

Features

- Toughened glass front door with advanced and elegant lock, steel rear door with advanced and elegant lock;
- 19" standard installation, achieve the international standard for the installation of the versatility of the parts, door interchangeability;
- Ladder-shaped mounting angles, making products more conformity with mechanics principle and the products loading capacity is much higher;
- The installing hole in mounting profile is from long strip to round. Then eliminating the adjustment error and improving the installing precision;
- Coated aluminum zinc material, when the equipment is installed automatically equipotential;
- Assembled frame structure, assembled and disassembled shipment. Maximize save shipping costs;
- 487mm wide installation space to make more equipment installation realized;
- Several lockable cable entry on top cover and bottom panel. Front rear door and side panel easy to install and remove, bottom ventilation and rat proof.

Loading Capacity

Static loading: 800kg

Degree of Protection

IP20

Surface Finish

Degreasing, phosphoric, silane, powder coated

Optional

Fixed shelf, fan unit, PDU, cable management, keyboard tray, blank panel



FAB-G3 Network Cabinet

Standard

Comply with ANS/EIA, RS-310-D, IEC297-2, DIN41491, PART1, DIN41494, PART7, GB/T3047.2-92 ETSI standard.

Features

- Hexagonal reticular high-density vented plate front door and rear door with advanced and elegant lock;
- Ventilation rate above 75% to meet the need of ventilation and heat dissipation;
- 19" standard installation, achieve the international standard for the installation of the versatility of the parts, door interchangeability;
- Ladder-shaped mounting angles, making products more conformity with mechanics principle and the products loading capacity is much higher;
- The installing hole in mounting profile is from long strip to round. Then eliminating the adjustment error and improving the installing precision;
- Coated aluminum zinc material, when the equipment is installed automatically equipotential;
- Assembled frame structure, assembled and disassembled shipment. Maximize save shipping costs;
- 487mm wide installation space to make more equipment installation realized;
- Several lockable cable entry on top cover and bottom panel. Front rear door and side panel easy to install and remove, bottom ventilation and rat proof.

Loading Capacity

Static loading: 800kg

Degree of Protection

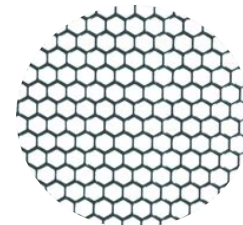
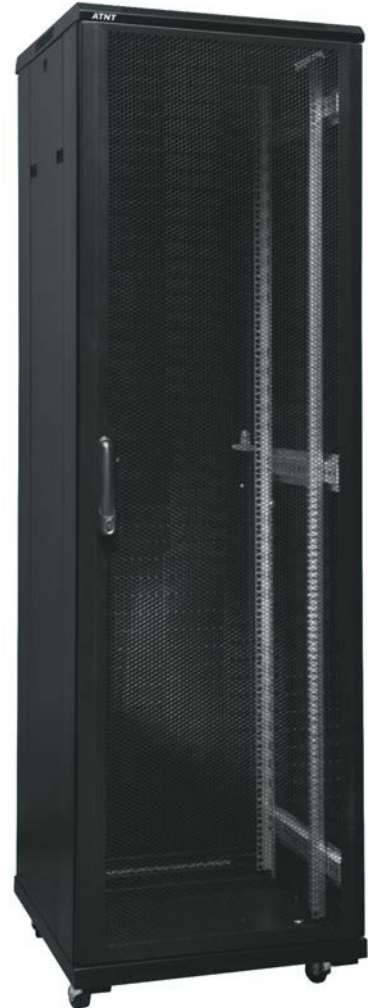
IP20

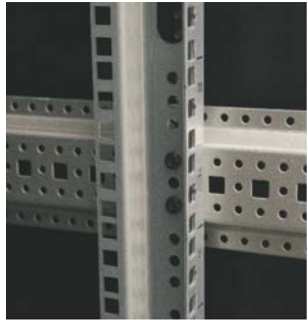
Surface Finish

Degreasing, phosphoric, silane, powder coated

Optional

Fixed shelf, fan unit, PDU, cable management, keyboard tray, blank panel





Mounting profile installation



Ladder-shaped mounting angle



U mark mounting profile



Fan units for top cover



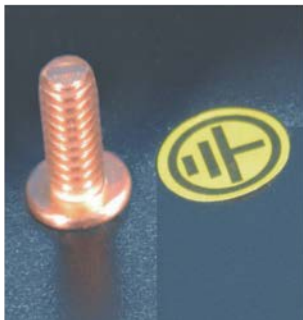
Close the cable entry at bottom



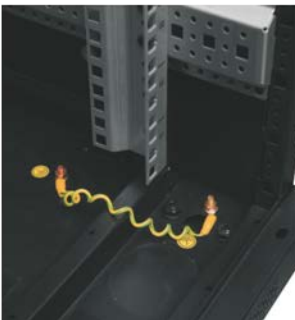
Open the cable entry at bottom



Bracket without welding

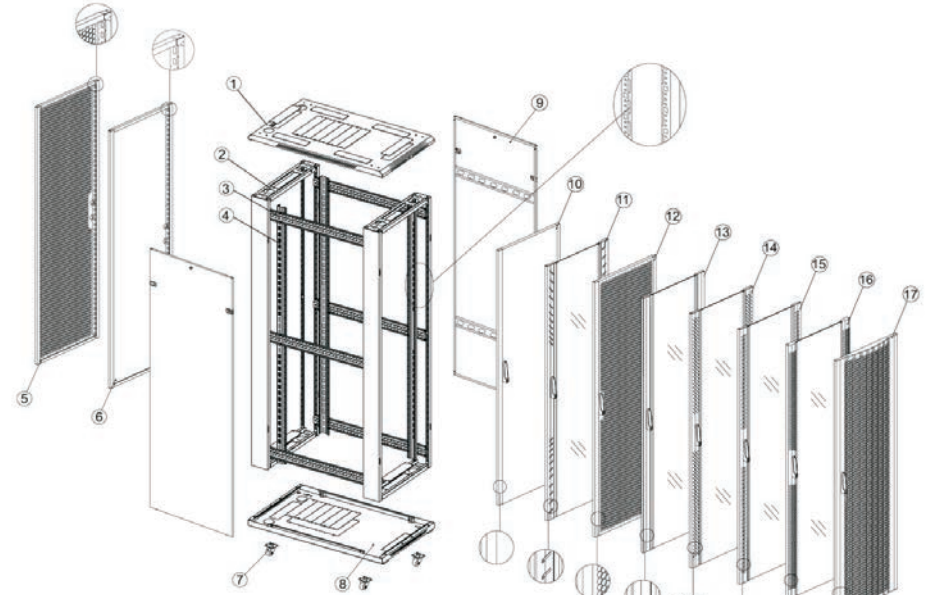


Earth kit

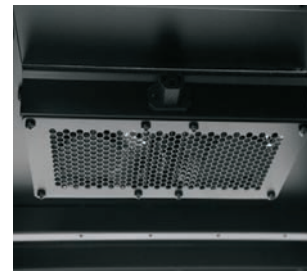


Main parts with earthing knits can connect with each other

Main Structure



- 1. Top cover 2. Frame 3. Mounting angle
- 4. Mounting profile 5. Hexagonal vented door 6. Steel door
- 7. 2" heavy duty castor 8. Bottom panel 9. Side panel 10. G1 front door 11. G2 front door
- 12. G3 front door 13. G4 front door 14. G5 front door 15. G6 front door 16. GS front door 17. GD front door



Fan units top cover(optional)



8 outlet PDU(optional)



487mm width fix shelf(optional)



Cabinets connecting

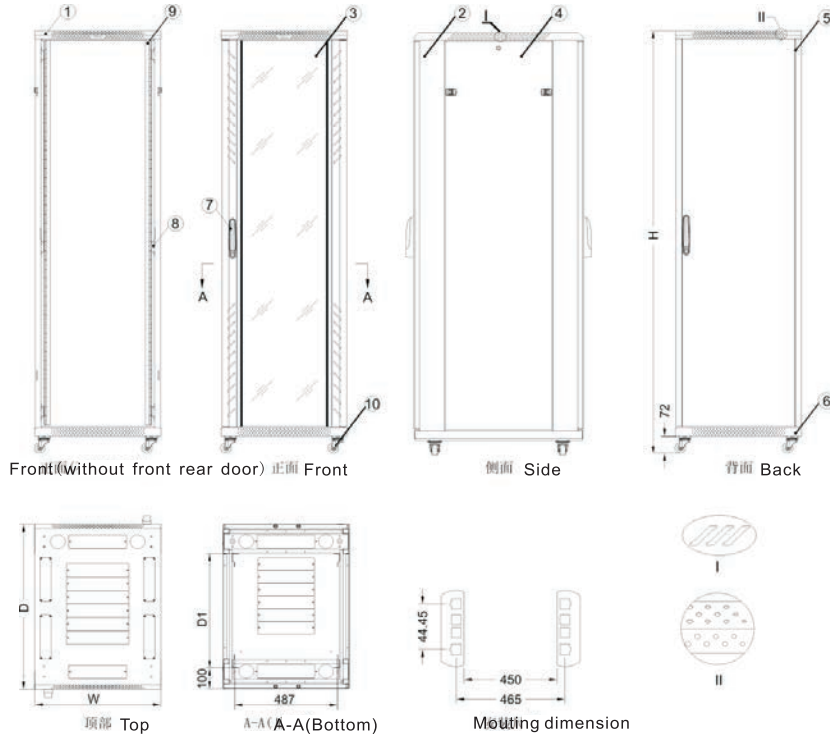


Blanking panel installation effect



Plastic cable management ring

Main Dimension



Main parts:

S/N	Specification	Quantity	Unit	Material	Surface finish	Remark
1	Top cover	1	Piece	SPCC cold rolled steel t1.2	Powder coated	_____
2	Frame	2	Piece	SPCC cold rolled steel t1.2	Powder coated	_____
3	Front door	1	Piece	SPCC cold rolled steel t1.2	Powder coated	_____
4	Side panel	2	Piece	SPCC cold rolled steel t1.2	Powder coated	Steel door with lock
5	Rear door	1	Piece	SPCC cold rolled steel t1.2	Powder coated	_____
6	Bottom panel	1	Piece	SPCC cold rolled steel t1.2	Powder coated	_____
7	Advanced and elegant lock	2	Piece	_____	_____	_____
8	Mounting angle	4/6	Piece	Flowerless galvanized sheet t1.5	Material	4pcs for lower 32U
9	Mounting profile	4	Piece	Flowerless galvanized sheet t2.0	Material	_____
10	2" heavy duty castor	4	Piece	_____	_____	_____
11	Inner 6-angle screws&nuts	20/40	Piece	_____	_____	_____
12	Adjustable feet	4	Piece	_____	_____	_____
13	Spacer	8/12	Piece	SPCC cold rolled steel t1.5	Powder coated	For 800mm width cabinet only
14	Allen wrench	1	Piece	_____	_____	_____

Note: width 800mm and above 32U cabinets with 12 spacer, lower 32U with 8 spacer.

Colour of cabinet:

Colour Standard	Normal Colour		
Standard	RAL9004		RAL7035
			Other color

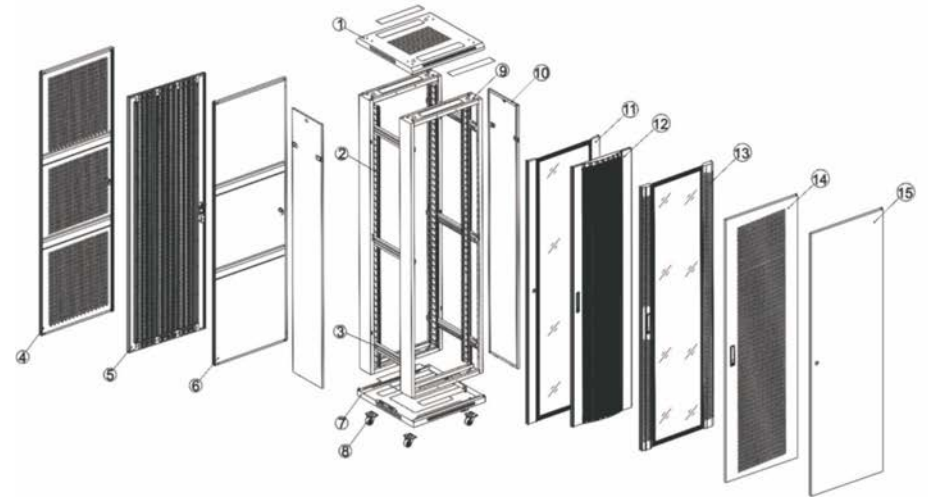
Standard FAB-G2 -600W specification (including 72mm castor)						
Model no.	Width (mm)	Depth (mm)	Height (mm)	Capacity (U)	Packing dimension	Volume (CBM)
FAB-G2 -6618	600	600	988	18	640*640*998	0.41
FAB-G2 -6818		800			640*840*998	0.53
FAB-G2 -6622	600	600	1166	22	640*640*1176	0.48
FAB-G2 -6822		800			640*840*1176	0.63
FAB-G2 -6627	600	600	1388	27	640*640*1398	0.57
FAB-G2 -6827		800			640*840*1398	0.75
FAB-G2 -6632	600	600	1610	32	640*640*1620	0.66
FAB-G2 -6832		800			640*840*1620	0.87
FAB-G2 -6932		900			640*940*1620	0.97
FAB-G2 -6A32		960			640*1000*1620	1.04
FAB-G2 -6032	600	1000	1833	37	640*1040*1620	1.08
FAB-G2 -6637		600			640*640*1843	0.75
FAB-G2 -6837		800			640*840*1843	0.99
FAB-G2 -6937		900			640*940*1843	1.11
FAB-G2 -6A37	600	960	2055	42	640*1000*1843	1.18
FAB-G2 -6037		1000			640*1040*1843	1.23
FAB-G2 -6642		600			640*640*2065	0.85
FAB-G2 -6842		800			640*840*2065	1.11
FAB-G2 -6942	600	900	2277	47	640*940*2065	1.24
FAB-G2 -6A42		960			640*1000*2065	1.32
FAB-G2 -6042		1000			640*1040*2065	1.37
FAB-G2 -6647		600			640*640*2287	0.93
FAB-G2 -6847	600	800	1833	37	640*840*2287	1.22
FAB-G2 -6947		900			640*940*2287	1.37
FAB-G2 -6A47		960			640*1000*2287	1.46
FAB-G2 -6047		1000			640*1040*2287	1.52

Standard FAB-G3 -800W specification (including 72mm castor)						
Model no.	Width (mm)	Depth (mm)	Height (mm)	Capacity (U)	Packing dimension	Volume (CBM)
FAB-G3 -8622	800	600	1166	22	840*640*1176	0.63
FAB-G3 -8822		800			840*840*1176	0.83
FAB-G3 -8627	800	600	1388	27	840*640*1398	0.75
FAB-G3 -8827		800			840*840*1398	0.99
FAB-G3 -8632	800	600	1610	32	840*640*1620	0.87
FAB-G3 -8832		800			840*840*1620	1.14
FAB-G3 -8932		900			840*940*1620	1.28
FAB-G3 -8A32		960			840*1000*1620	1.36
FAB-G3 -8032	800	1000	1833	37	840*1040*1620	1.42
FAB-G3 -8637		600			840*640*1843	0.99
FAB-G3 -8837		800			840*840*1843	1.30
FAB-G3 -8937		900			840*940*1843	1.46
FAB-G3 -8A37	800	960	2055	42	840*1000*1843	1.55
FAB-G3 -8037		1000			840*1040*1843	1.61
FAB-G3 -8647		600			840*640*2065	1.11
FAB-G3 -8847		800			840*840*2065	1.46
FAB-G3 -8947	800	900	2277	47	840*940*2065	1.63
FAB-G3 -8A47		960			840*1000*2065	1.73
FAB-G3 -8047		1000			840*1040*2065	1.80
FAB-G3 -8647		600			840*640*2287	1.23
FAB-G3 -8847	800	800	1833	37	840*840*2287	1.61
FAB-G3 -8947		900			840*940*2287	1.81
FAB-G3 -8A47		960			840*1000*2287	1.92
FAB-G3 -8047		1000			840*1040*2287	2.00

FAB-A Series Network Cabinet



FAB-A-600W Network Cabinet explosion drawing



1. Top cover 2. Mounting profile 3. Mounting angle 4. Door with hexagonal holes 5. High-density vented door 6. Steel door without hole 7. Bottom hole 8. 2" heavy duty castor 9. Frame 10. Side panel 11. A2 front door 12. AD front door 13. AS front door 14. A3 front door 15. A1 front door



Top cover with hexagon radiator hole



Fan units for top cover (optional)



Fix shell (optional)



Drawer

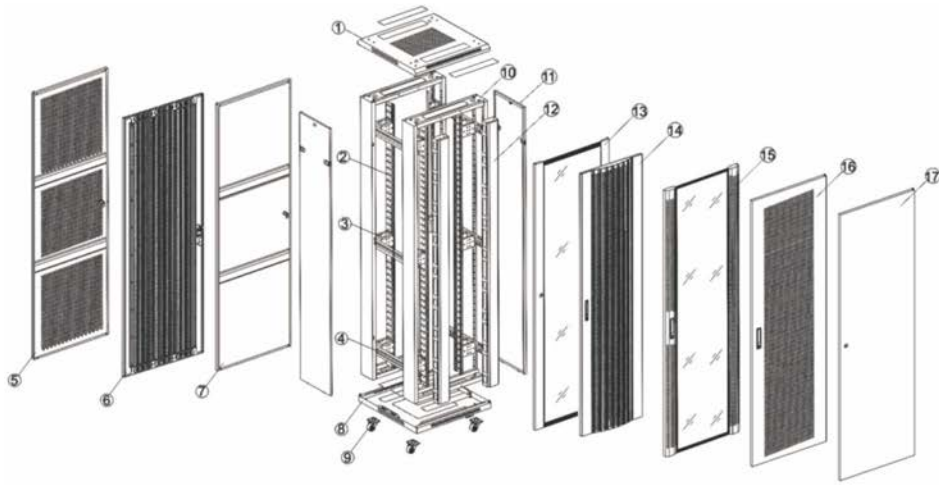


L rail with embossing



Keyboard with mouse panel

FAB-800W Network Cabinet explosion drawing



1. Top cover 2. Mounting profile 3. Spacer 4. Mounting angle 5. Door with hexagonal holes 6. High-density vented door 7. Steel door without hole 8. Bottom hole 9. 2" heavy duty castor 10. Frame 11. Side panel 12. Cable management slot 13. A2 front door 14. AD front door 15. AS front door 16. A3 front door 17. A1 front door



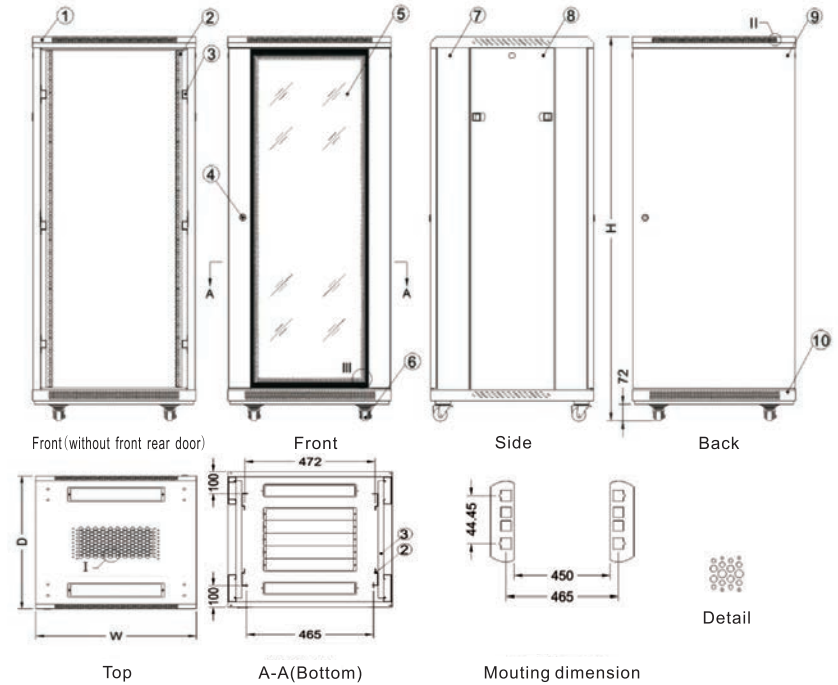
Top installation fan unit(optional)



Metal cable management slot with cap



With 600 main dimension


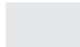


1. Top cover 2. Mounting profile 3. Mounting angle 4. Small round lock 5. Glass front door 6. Heavy duty castor 7. Frame 8. Side panel 9. Steel rear door 10. Bottom panel

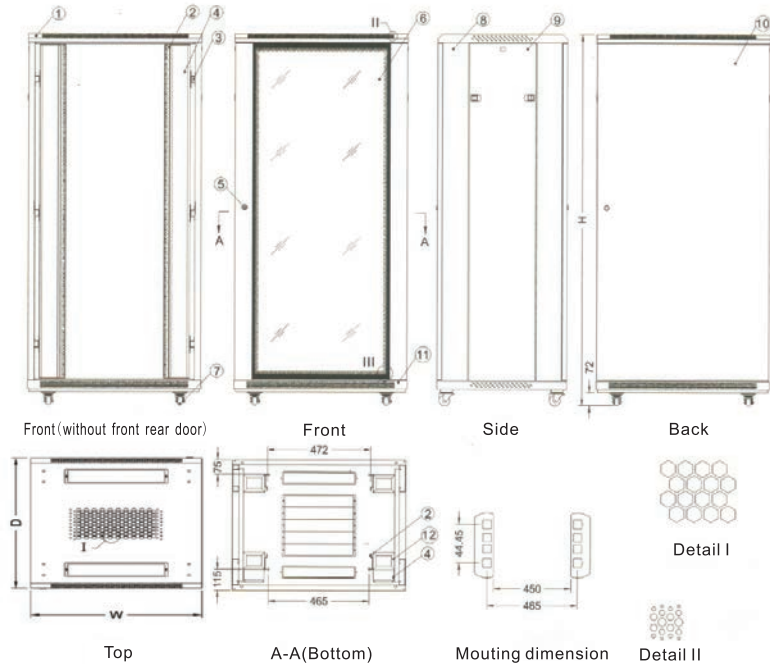
Main parts:

S/N	Specification	Quantity	Unit	Material	Surface finish	Remark
1	Top cover	1	Piece	SPCC cold rolled steel t1.2	Powder coated	-----
2	Mounting profile	4	Piece	SPCC cold rolled steel t2.0	Powder coated	-----
3	Mounting angle	4/6	Piece	SPCC cold rolled steel t1.5	Powder coated	4pcs for lower 32U
4	Small round lock	2	Piece	-----	-----	With 4 keys
5	Front door	1	Piece	SPCC cold rolled steel t1.2	Powder coated	-----
6	2" heavy duty castor	4	Piece	-----	-----	-----
7	Frame	2	Piece	SPCC cold rolled steel t1.2	Powder coated	-----
8	Side panel	2	Piece	SPCC cold rolled steel t1.2	Powder coated	Steel door
9	Rear door	1	Piece	SPCC cold rolled steel t1.2	Powder coated	-----
10	Bottom panel	1	Piece	SPCC cold rolled steel t1.2	Powder coated	-----
11	Inner 6-angle screws&nuts	20/40	Piece	-----	-----	-----
12	Adjustable feet	4	Piece	-----	-----	-----
13	Allen wrench	1	Piece	-----	-----	-----

Colour of cabinet:

Colour Standard	Normal Colour		
Standard	RAL9004 	RAL7035 	Other color

With 800 main dimension


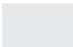


1. Top cover 2. Mounting profile 3. Mounting angle 4. Cable management slot 5. Small round lock 6. Glass front door 7. Heavy duty castor 8. Frame 9. Side panel 10. Steel rear door 11. Bottom panel 12. Spacer

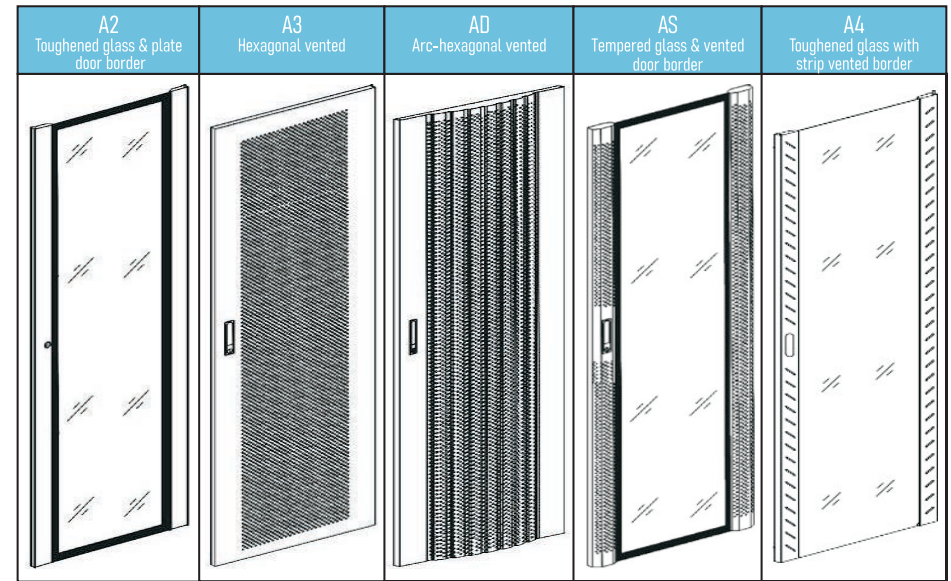
Main parts:

S/N	Specification	Quantity	Unit	Material	Surface finish	Remark
1	Top cover	1	Piece	SPCC cold rolled steel t1.2	Powder coated	----
2	Mounting profile	4	Piece	SPCC cold rolled steel t2.0	Powder coated	----
3	Mounting angle	4/6	Piece	SPCC cold rolled steel t1.5	Powder coated	4pcs for lower 27U
4	Cable management slot	2	Piece	SPCC cold rolled steel t0.8	Powder coated	----
5	Small round lock	2	Piece	----	----	----
6	Front door	1	Piece	SPCC cold rolled steel t1.2	Powder coated	----
7	2" heavy duty castor	4	Piece	----	----	----
8	Frame	2	Piece	SPCC cold rolled steel t1.2	Powder coated	----
9	Side panel	2	Piece	SPCC cold rolled steel t1.2	Powder coated	Steel door
10	Rear door	1	Piece	SPCC cold rolled steel t1.2	Powder coated	----
11	Bottom panel	1	Piece	SPCC cold rolled steel t1.2	Powder coated	----
12	Spacer	8/12	Piece	SPCC cold rolled steel t1.5	Powder coated	8pcs for lower 27U
13	Inner 6-angle screws&nuts	20/40	Piece	----	----	----
14	Adjustable feet	4	Piece	----	----	----
15	Allen wrench	1	Piece	----	----	----

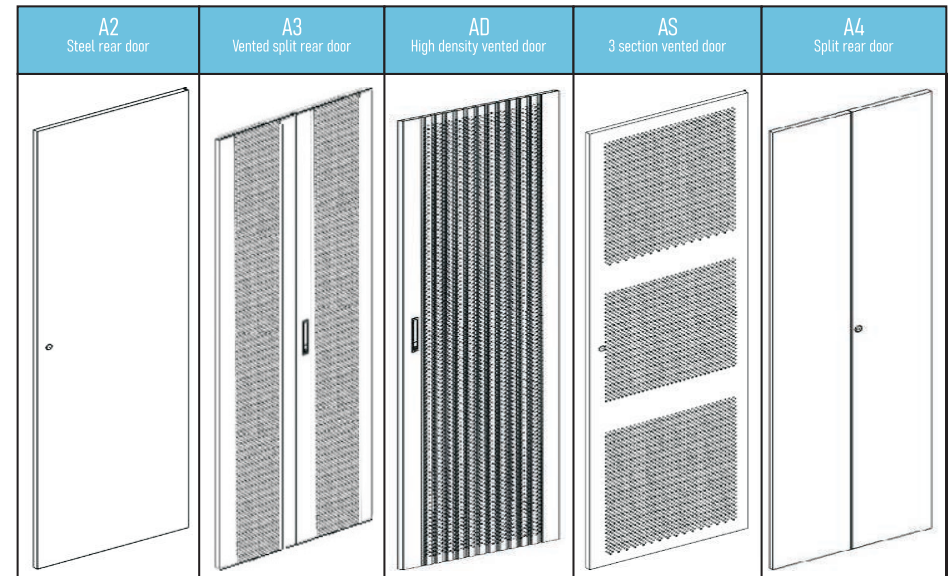
Colour of cabinet:

Colour Standard	Normal Colour		
Standard	RAL9004 	RAL7035 	Other color

Option front door



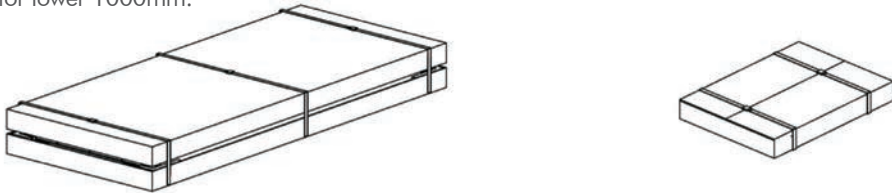
Option rear door



Package drawing

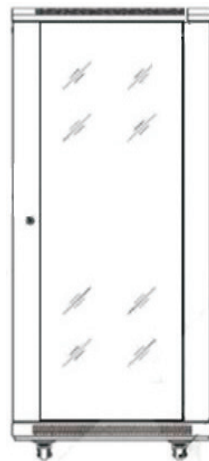
1. Assembling Draft

Flat pack, each cabinet with 2-3 packages: 3 packages for above 1000mm, 2 packages for lower 1000mm.



2. Installation instructions

- A** 2 frames are prior assembled;
- B** Use bolts to connect the 2 frames, 4pcs mounting profiles and mounting angle. The cabinet frame is ready;
- C** Fix top and bottom frame and other accessories in the right position assembling;
- D** Install front and back door, side door;
- E** Complete assembly, test and adjusting.



Standard FAB-A-600W specification (including 72mm castor)						
Model no.	Width (mm)	Depth (mm)	Height (mm)	Capacity (U)	Packing dimension	Volume (CBM)
FAB-A-6618	600	600	988	18	640*640*998	0.41
FAB-A-6818		800			640*840*998	0.53
FAB-A-6622	600	600	1166	22	640*640*1176	0.48
FAB-A-6822		800			640*840*1176	0.63
FAB-A-6627	600	600	1388	27	640*640*1398	0.57
FAB-A-6827		800			640*840*1398	0.75
FAB-A-6632	600	600	1610	32	640*640*1620	0.66
FAB-A-6832		800			640*840*1620	0.87
FAB-A-6932		900			640*940*1620	0.97
FAB-A-6A32		960			640*1000*1620	1.04
FAB-A-6032	600	1000	1833	37	640*1040*1620	1.08
FAB-A-6637		600			640*640*1843	0.75
FAB-A-6837		800			640*840*1843	0.99
FAB-A-6937		900			640*940*1843	1.11
FAB-A-6A37	600	960	2055	42	640*1000*1843	1.18
FAB-A-6037		1000			640*1040*1843	1.23
FAB-A-6642		600			640*640*2065	0.85
FAB-A-6842		800			640*840*2065	1.11
FAB-A-6942	600	900	2277	47	640*940*2065	1.24
FAB-A-6A42		960			640*1000*2065	1.32
FAB-A-6042		1000			640*1040*2065	1.37
FAB-A-6647		600			640*640*2287	0.93
FAB-A-6847	600	800	2277	47	640*840*2287	1.22
FAB-A-6947		900			640*940*2287	1.37
FAB-A-6A47		960			640*1000*2287	1.46
FAB-A-6047		1000			640*1040*2287	1.52

Standard FAB-A-800W specification (including 72mm castor)						
Model no.	Width (mm)	Depth (mm)	Height (mm)	Capacity (U)	Packing dimension	Volume (CBM)
FAB-A-8622	800	600	1166	22	840*640*1176	0.63
FAB-A-8822		800			840*840*1176	0.83
FAB-A-8627	800	600	1388	27	840*640*1398	0.75
FAB-A-8827		800			840*840*1398	0.99
FAB-A-8632	800	600	1610	32	840*640*1620	0.87
FAB-A-8832		800			840*840*1620	1.14
FAB-A-8932		900			840*940*1620	1.28
FAB-A-8A32		960			840*1000*1620	1.36
FAB-A-8032	800	1000	1833	37	840*1040*1620	1.42
FAB-A-8637		600			840*640*1843	0.99
FAB-A-8837		800			840*840*1843	1.30
FAB-A-8937		900			840*940*1843	1.46
FAB-A-8A37	800	960	2055	42	840*1000*1843	1.55
FAB-A-8037		1000			840*1040*1843	1.61
FAB-A-8647		600			840*640*2065	1.11
FAB-A-8847		800			840*840*2065	1.46
FAB-A-8947	800	900	2277	47	840*940*2065	1.63
FAB-A-8A47		960			840*1000*2065	1.73
FAB-A-8047		1000			840*1040*2065	1.80
FAB-A-8647		600			840*640*2287	1.23
FAB-A-8847	800	800	2277	47	840*840*2287	1.61
FAB-A-8947		900			840*940*2287	1.81
FAB-A-8A47		960			840*1000*2287	1.92
FAB-A-8047		1000			840*1040*2287	2.00

FAB-A1 Network Cabinet

Standard

Comply with ANS/EIA, RS-310-D, IEC297-2, DIN41491, PART1, DIN41494, PART7, GB/T3047.2-92 ETSI standard.

Features

- Steel front and rear door with round lock;
- 19" standard installation, achieve the international standard for the installation of the versatility of the parts, door interchangeability;
- Assembled frame structure, assembled and disassembled shipment, maximize save shipping costs;
- Removable side panels, easy to install and maintain;
- Various optional accessories, convenient and fast installation, efficient cabinet buying kit;
- Adjustable feet and heavy duty castors are available at the same time, convenient to move or fix;
- Several lockable cable entry on top cover and bottom panel. Front rear door and side panel easy to install and remove, bottom ventilation and rat proof.

Loading Capacity

Static loading: 800kg

Degree of Protection

IP20

Surface Finish

Degreasing, phosphoric, silane, powder coated

Optional

Fixed shelf, fan unit, PDU, cable management, keyboard tray, blank panel



FAB-A2 Network Cabinet

Standard

Comply with ANS/EIA, RS-310-D, IEC297-2, DIN41491, PART1, DIN41494, PART7, GB/T3047.2-92 ETSI standard.

Features

- Toughened glass front door with round lock, steel rear door with round lock;
- 19" standard installation, achieve the international standard for the installation of the versatility of the parts, door interchangeability;
- Assembled frame structure, assembled and disassembled shipment, maximize save shipping costs;
- Removable side panels, easy to install and maintain;
- Various optional accessories, convenient and fast installation, efficient cabinet buying kit;
- Adjustable feet and heavy duty castors are available at the same time, convenient to move or fix;
- Several lockable cable entry on top cover and bottom panel. Front rear door and side panel easy to install and remove, bottom ventilation and rat proof.

Loading Capacity

Static loading: 800kg

Degree of Protection

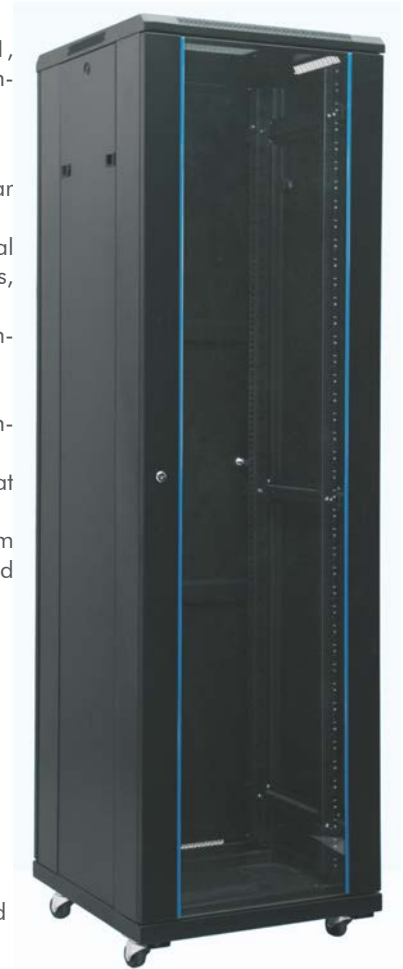
IP20

Surface Finish

Degreasing, phosphoric, silane, powder coated

Optional

Fixed shelf, fan unit, PDU, cable management, keyboard tray, blank panel



www.fibramerica.com



FAB-A3 Network Cabinet

Standard

Comply with ANS/EIA, RS-310-D, IEC297-2, DIN41491, PART1, DIN41494, PART7, GB/T3047.2-92 ETSI standard.

Features

- Hexagonal reticular high-density vented plate front door and rear door with round lock;
- 19" standard installation, achieve the international standard for the installation of the versatility of the parts, door interchangeability;
- Assembled frame structure, assembled and disassembled shipment, maximize save shipping costs;
- Removable side panels, easy to install and maintain;
- Various optional accessories, convenient and fast installation, efficient cabinet buying kit;
- Adjustable feet and heavy duty castors are available at the same time, convenient to move or fix;
- Ventilation rate is 71%, can meet the requirements of heat dissipation;
- Several lockable cable entry on top cover and bottom panel. Front rear door and side panel easy to install and remove, bottom ventilation and rat proof.

Loading Capacity

Static loading: 800kg

Degree of Protection

IP20

Surface Finish

Degreasing, phosphoric, silane, powder coated

Optional

Fixed shelf, fan unit, PDU, cable management, keyboard tray, blank panel



FAB-A4 Network Cabinet

Standard

Comply with ANS/EIA, RS-310-D, IEC297-2, DIN41491, PART1, DIN41494, PART7, GB/T3047.2-92 ETSI standard.

Features

- Toughened glass front door with bar vented hole and arc-shaped door border with spring lock, three section vented plate rear door with round lock;
- 19" standard installation, achieve the international standard for the installation of the versatility of the parts, door interchangeability;
- Assembled frame structure, assembled and disassembled shipment, maximize save shipping costs;
- Removable side panels, easy to install and maintain;
- Various optional accessories, convenient and fast installation, efficient cabinet buying kit;
- Adjustable feet and heavy duty castors are available at the same time, convenient to move or fix;
- Several lockable cable entry on top cover and bottom panel. Front rear door and side panel easy to install and remove, bottom ventilation and rat proof.

Loading Capacity

Static loading: 800kg

Degree of Protection

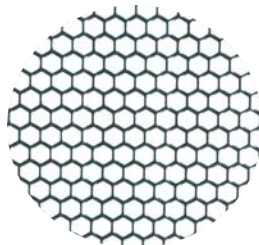
IP20

Surface Finish

Degreasing, phosphoric, silane, powder coated

Optional

Fixed shelf, fan unit, PDU, cable management, keyboard tray, blank panel



FAB-AS Network Cabinet

Standard

Comply with ANS/EIA, RS-310-D, IEC297-2, DIN41491, PART1, DIN41494, PART7, GB/T3047.2-92 ETSI standard.

Features

- Toughened glass front door with small vented hole and arc-shaped door border with spring lock, three section vented rear door with round lock;
- 19" standard installation, achieve the international standard for the installation of the versatility of the parts, door interchangeability;
- Assembled frame structure, assembled and disassembled shipment, maximize save shipping costs;
- Removable side panels, easy to install and maintain;
- Various optional accessories, convenient and fast installation, efficient cabinet buying kit;
- Adjustable feet and heavy duty castors are available at the same time, convenient to move or fix;
- Ventilation rate is 70% can meet the requirements of heat dissipation;
- Several lockable cable entry on top cover and bottom panel. Front rear door and side panel easy to install and remove, bottom ventilation and rat proof.

Loading Capacity

Static loading: 800kg

Degree of Protection

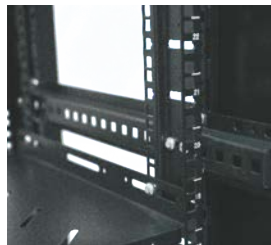
IP20

Surface Finish

Degreasing, phosphoric, silane, powder coated

Optional

Fixed shelf, fan unit, PDU, cable management, keyboard tray, blank panel



FAB-AD Network Cabinet

Standard

Comply with ANS/EIA, RS-310-D, IEC297-2, DIN41491, PART1, DIN41494, PART7, GB/T3047.2-92 ETSI standard.

Features

- Arc hexagonal reticular high-density vented front door, hexagonal reticular high-density vented plate rear door with spring lock;
- Elegant design, exquisite workmanship, precise dimensions;
- 19" standard installation, achieve the international standard for the installation of the versatility of the parts, door interchangeability;
- Assembled frame structure, assembled and disassembled shipment, maximize save shipping costs;
- Removable side panels, easy to install and maintain;
- Various optional accessories, convenient and fast installation, efficient cabinet buying kit;
- Adjustable feet and heavy duty castors are available at the same time, convenient to move or fix;
- Ventilation rate is 71%, can meet the requirements of heat dissipation;
- Several lockable cable entry on top cover and bottom panel. Front rear door and side panel easy to install and remove, bottom ventilation and rat proof.

Loading Capacity

Static loading: 800kg

Degree of Protection

IP20

Surface Finish

Degreasing, phosphoric, silane, powder coated

Optional

Fixed shelf, fan unit, PDU, cable management, keyboard tray, blank panel



Wall mount cabinet



Plate front door



Toughened glass door



Hexagonal reticular high density vented plate door



Toughened glass door with bar vented border



Toughened glass door with round vented border



Hexagonal reticular high density vented door



Toughened glass door



Hexagonal reticular high density vented plate door



Toughened glass door with bar vented border

FAB-WM Series Wall mount cabinet



Back



Top



Mounting profile installation



Fan cover plate

Standard

Comply with ANS/EIA, RS-310-D, IEC297-2, DIN41491, PART1, DIN41494, PART7, GB/T3047.2-92 ETSI standard.

Features

- 19" standard installation, double section welded frame structure;
- Whole welded frame structure and back panel;
- Standing or wall mounting installation, foot and caster optional;
- Convenient and quick wall mounting;
- Removable side panels, side locks optional;
- knock out hole for entering cable on both of top cover and bottom panel.

Loading Capacity

Static loading: 60kg

Degree of Protection

IP20

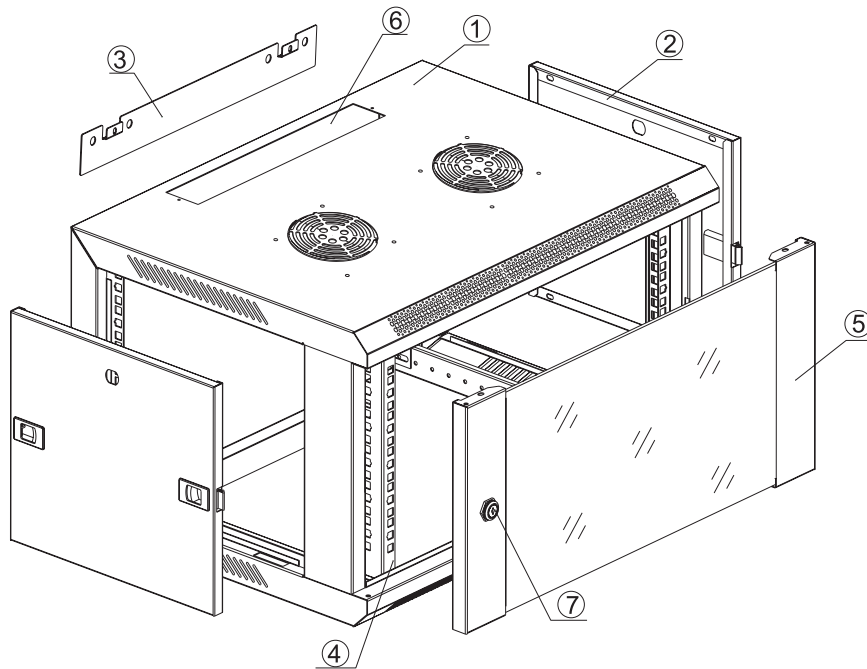
Surface Finish

Degreasing, phosphoric, silane, powder coated

Optional

Fixed shelf, fans, PDU, blank panel

Main Structure


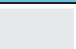


1. Cabinet body 2. Side panel 3. Mounting panel 4. Mounting profile
5. Front door 6. Cable entrance cover 7. Front door lock

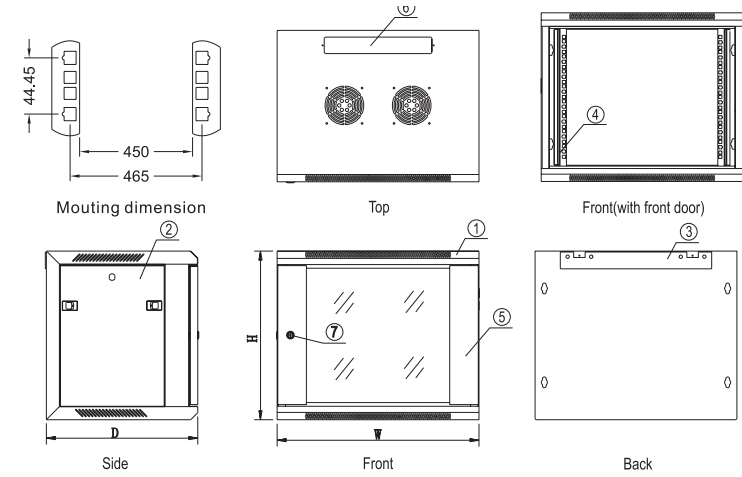
Main parts:

S/N	Specification	Quantity	Unit	Material	Surface finish	Remark
1	Cabinet body	1	Piece	SPCC cold rolled steel t1.2	Powder coated	----
2	Side panel	2	Piece	SPCC cold rolled steel t1.2	Powder coated	----
3	Mounting panel	1	Piece	SPCC cold rolled steel t1.2	Powder coated	----
4	Mounting profile	4	Piece	SPCC cold rolled steel t1.5	Powder coated	----
5	Front door	1	Piece	SPCC cold rolled steel t1.2	Powder coated	----
6	Cable entrance cover	2	Piece	SPCC cold rolled steel t1.2	Powder coated	----
7	Front door lock	1	Piece	----	----	----
8	Inner 6-angle screws&nuts	10/20	Piece	----	----	10pcs for lower 12U
9	Allen wrench	1	Piece	----	----	----

Colour of cabinet:

Colour Standard	Normal Colour		
Standard	RAL9004 	RAL7035 	Other color

Main Dimension



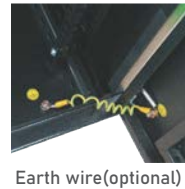
Standard FAB-WM-D450 Wall Mount Cabinet Specification

Model no.	Width (mm)	Depth (mm)	Height (mm)	Capacity (U)	Packing dimension	Volume (CBM)
FAB-WM-6404	600	450	280	4	assembled:615*465*300	0.09
FAB-WM-6406			370	6	assembled:615*465*390	0.11
FAB-WM-6409			500	9	assembled:615*465*530	0.15
FAB-WM-6412			635	12	assembled:615*465*670	0.19
FAB-WM-6415			770	15	assembled:615*465*800	0.23
FAB-WM-6418			900	18	assembled:615*465*930	0.27
FAB-WM-6422			1080	22	assembled:615*465*1110	0.32

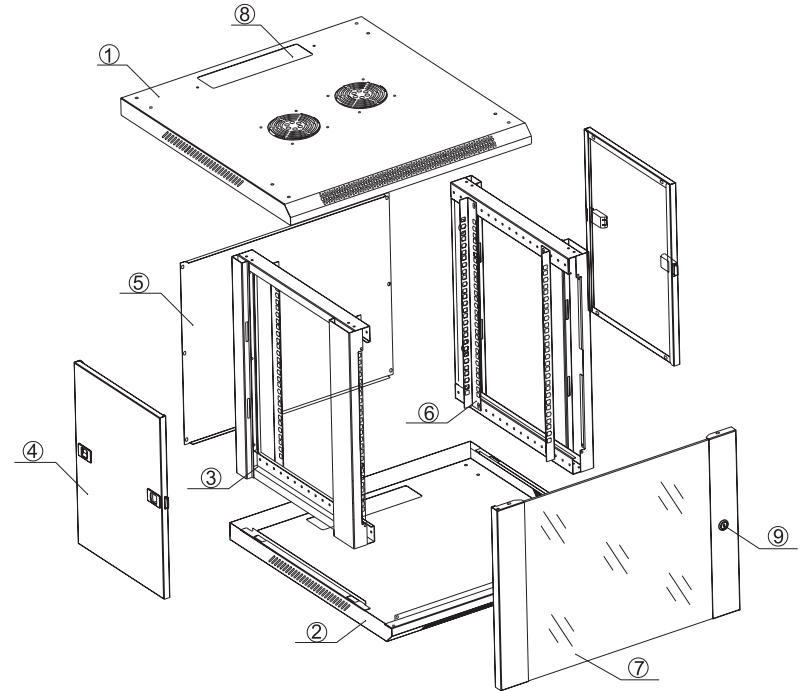
Standard FAB-WM-D600 Wall Mount Cabinet Specification

Model no.	Width (mm)	Depth (mm)	Height (mm)	Capacity (U)	Packing dimension	Volume (CBM)
FAB-WM-6604	600	600	280	4	assembled:615*615*300	0.11
FAB-WM-6606			370	6	assembled:615*615*390	0.15
FAB-WM-6609			500	9	assembled:615*615*530	0.20
FAB-WM-6612			635	12	assembled:615*615*670	0.25
FAB-WM-6615			770	15	assembled:615*615*800	0.30
FAB-WM-6618			900	18	assembled:615*615*930	0.35
FAB-WM-6622			1080	22	assembled:615*615*1110	0.42

FAB-SP Series Wall mount cabinet



Main Structure



1. Top cover 2. Bottom 3. Frame 4. Side panel 5. Back panel
6. Mounting profile 7. Front door 8. Cable entry cover 9. Front door lock

Main parts:

S/N	Specification	Quantity	Unit	Material	Surface finish	Remark
1	Top cover	1	Piece	SPCC cold rolled steel t1.2	Powder coated	----
2	Bottom	1	Piece	SPCC cold rolled steel t1.2	Powder coated	----
3	Frame	2	Piece	SPCC cold rolled steel t1.2	Powder coated	----
4	Side panel	2	Piece	SPCC cold rolled steel t1.2	Powder coated	----
5	Back panel	1	Piece	SPCC cold rolled steel t0.8	Powder coated	----
6	Mounting profile	4	Piece	SPCC cold rolled steel t1.5	Powder coated	----
7	Front door	1	Piece	SPCC cold rolled steel t1.2	Powder coated	----
8	Cable entry cover	2	Piece	SPCC cold rolled steel t1.2	Powder coated	----
9	Front door lock	1	Piece	----	----	----
10	Inner 6-angle screws&nuts	10/20	Piece	----	----	10pcs for lower 12U
11	Allen wrench	1	Piece	----	----	----

Standard

Comply with ANS/EIA, RS-310-D, IEC297-2, DIN41491, PART1, DIN41494, PART7, GB/T3047.2-92 ETSI standard.

Features

- 19" standard installation, double section welded frame structure;
- Whole welded frame structure and back panel;
- Standing or wall mounting installation, foot and caster optional;
- Convenient and quick wall mounting;
- Removable side panels, side locks optional;
- knock out hole for entering cable on both of top cover and bottom panel.

Loading Capacity

Static loading: 60kg

Degree of Protection

IP20


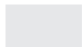
Surface Finish

Degreasing, phosphoric, silane, powder coated

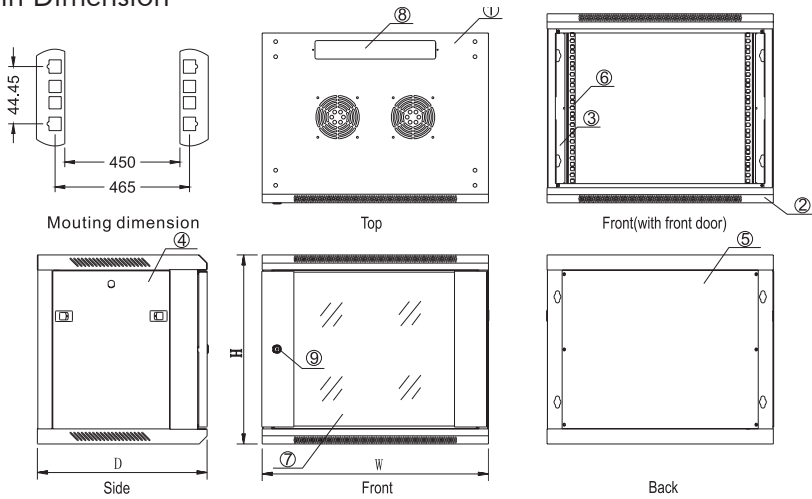
Optional

Fixed shelf, fan unit, PDU, cable management, keyboard tray, blank panel

Colour of cabinet:

Colour Standard	Normal Colour		
Standard	RAL9004 	RAL7035 	Other color

Main Dimension



Standard FAB-SP-D450 Wall Mount Cabinet Specification

Model no.	Width (mm)	Depth (mm)	Height (mm)	Capacity (U)	Packing dimension	Volume (CBM)		
FAB-SP-6404	600	450	280	4	assembled:615*465*300	0.09		
					unassemble:640*490*160	0.05		
FAB-SP-6406			370	6	370	6	assembled:615*465*390	0.11
							unassemble:640*490*160	0.05
FAB-SP-6409			500	9	500	9	assembled:615*465*530	0.15
							unassemble:640*490*160	0.05
FAB-SP-6412			635	12	635	12	assembled:615*465*670	0.19
							unassemble:670*640*230	0.10
FAB-SP-6415	770	15	770	15	assembled:615*465*800	0.23		
					unassemble:800*640*230	0.12		
FAB-SP-6418	900	18	900	18	assembled:615*465*930	0.27		
					unassemble:930*640*230	0.14		
FAB-SP-6422	1060	22	1080	22	assembled:615*465*1110	0.32		
					unassemble:1060*640*230	0.16		

Standard FAB-SP-D600 Wall Mount Cabinet Specification

Model no.	Width (mm)	Depth (mm)	Height (mm)	Capacity (U)	Packing dimension	Volume (CBM)		
FAB-SP-6604	600	600	280	4	assembled:615*615*300	0.11		
					unassemble:640*490*160	0.05		
FAB-SP-6606			370	6	370	6	assembled:615*615*390	0.15
							unassemble:640*490*160	0.05
FAB-SP-6609			500	9	500	9	assembled:615*615*530	0.20
							unassemble:640*490*160	0.05
FAB-SP-6612			635	12	635	12	assembled:615*615*670	0.25
							unassemble:670*640*230	0.10
FAB-SP-6615	770	15	770	15	assembled:615*615*800	0.30		
					unassemble:800*640*230	0.12		
FAB-SP-6618	900	18	900	18	assembled:615*615*930	0.35		
					unassemble:930*640*230	0.14		
FAB-SP-6622	1060	22	1080	22	assembled:615*615*1110	0.42		
					unassemble:1060*640*230	0.16		

FAB-ZH Series Wall mount cabinet



Topcover wrap angle



Removable front door



Back



Earth wire(optional)

Standard

Comply with ANS/EIA, RS-310-D, IEC297-2, DIN41491, PART1, DIN41494, PART7, GB/T3047.2-92 ETSI standard.

Features

- 19" standard installation, double section welded frame structure;
- Whole welded frame structure and back panel;
- Standing or wall mounting installation, foot and caster optional;
- Convenient and quick wall mounting;
- Removable side panels, side locks optional;
- knock out hole for entering cable on both of top cover and bottom panel.

Loading Capacity

Static loading: 60kg

Degree of Protection

IP20

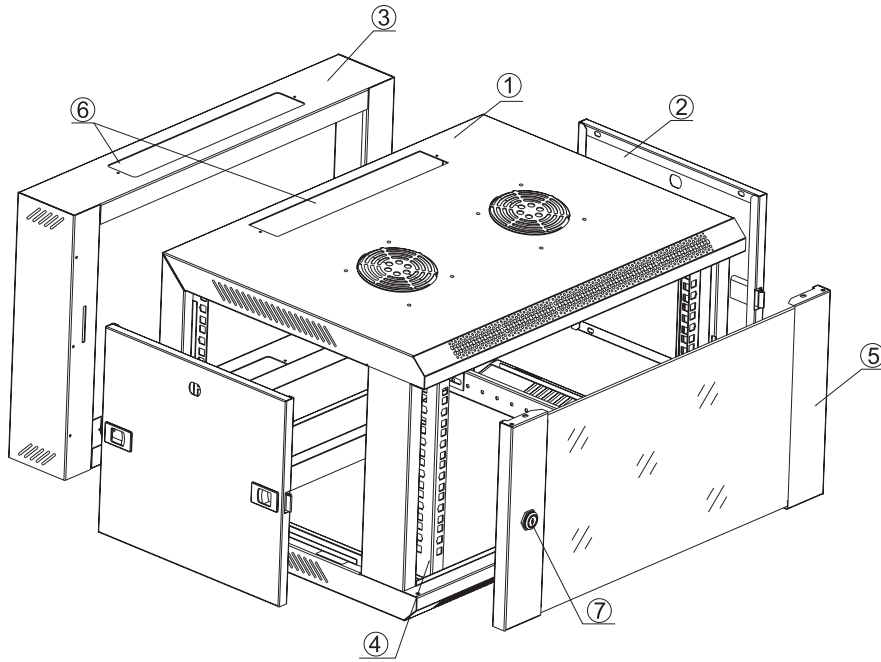
Surface Finish

Degreasing, phosphoric, silane, powder coated

Optional

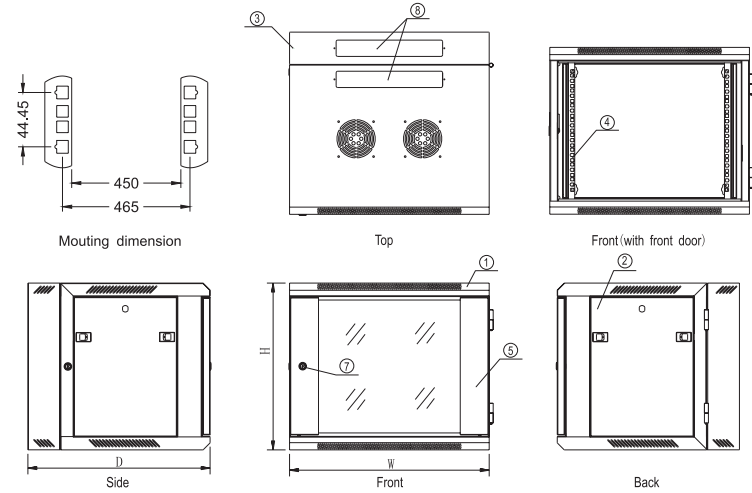
Fixed shelf, fan, PDU, blank panel

Main Structure



1. Cabinet body 2. Side panel 3. Back panel 4. Mounting profile
5. Front door 6. Cable entrance cover 7. Front door lock

Main Dimension



Standard FAB-ZH-D550 Wall Mount Cabinet Specification

Model no.	Width (mm)	Depth (mm)	Height (mm)	Capacity (U)	Packing dimension	Volume (CBM)
FAB-ZH-6404	600	550	280	4	assembled:615*565*300	0.10
FAB-ZH-6406			370	6	assembled:615*565*390	0.14
FAB-ZH-6409			500	9	assembled:615*565*530	0.18
FAB-ZH-6412			635	12	assembled:615*565*670	0.23
FAB-ZH-6415			770	15	assembled:615*565*800	0.28
FAB-ZH-6418			900	18	assembled:615*565*930	0.32
FAB-ZH-6422			1080	22	assembled:615*565*1110	0.39


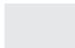
Standard FAB-ZH-D600 Wall Mount Cabinet Specification

Model no.	Width (mm)	Depth (mm)	Height (mm)	Capacity (U)	Packing dimension	Volume (CBM)
FAB-ZH-6604	600	600	280	4	assembled:615*615*300	0.11
FAB-ZH-6606			370	6	assembled:615*615*390	0.15
FAB-ZH-6609			500	9	assembled:615*615*530	0.20
FAB-ZH-6612			635	12	assembled:615*615*670	0.25
FAB-ZH-6615			770	15	assembled:615*615*800	0.30
FAB-ZH-6618			900	18	assembled:615*615*930	0.35
FAB-ZH-6622			980	22	assembled:615*615*1110	0.42

Main parts:

S/N	Specification	Quantity	Unit	Material	Surface finish	Remark
1	Cabinet body	1	Piece	SPCC cold rolled steel t1.2	Powder coated	----
2	Side panel	2	Piece	SPCC cold rolled steel t1.2	Powder coated	----
3	Back panel	1	Piece	SPCC cold rolled steel t1.2	Powder coated	----
4	Mounting profile	4	Piece	SPCC cold rolled steel t1.5	Powder coated	----
5	Front door	1	Piece	SPCC cold rolled steel t1.2	Powder coated	----
6	Cable entrance cover	3	Piece	SPCC cold rolled steel t1.2	Powder coated	----
7	Front door lock	1	Piece	----	----	----
8	Inner 6-angle screws&nuts	10/20	Piece	----	----	10pcs for lower 12U
9	Allen wrench	1	Piece	----	----	----

Colour of cabinet:

Colour Standard	Normal Colour		
Standard	RAL9004 	RAL7035 	Other color

FAB-TE Economic Cabinet

Standard

Comply with ANS/EIA, RS-310-D, IEC297-2, DIN41491, PART1, DIN41494, PART7, GB/T3047.2-92 ETSI standard.

Features

- 19" standard installation, structure easy operating;
- Assembled cabinet body structure, assembled and dis-assembled shipment, maximize save shipping costs;
- Toughened glass door;
- Adjustable feet and heavy duty castors are available;
- Removable side panel & rear door, easy to install and maintain, lock optional;
- Lockable bottom cable entry, adjustable entry size;
- Various optional accessories;
- Various optional dimension and structure according to customer requirements.

Loading Capacity

Static loading: 300kg

Degree of Protection

IP20

Surface Finish

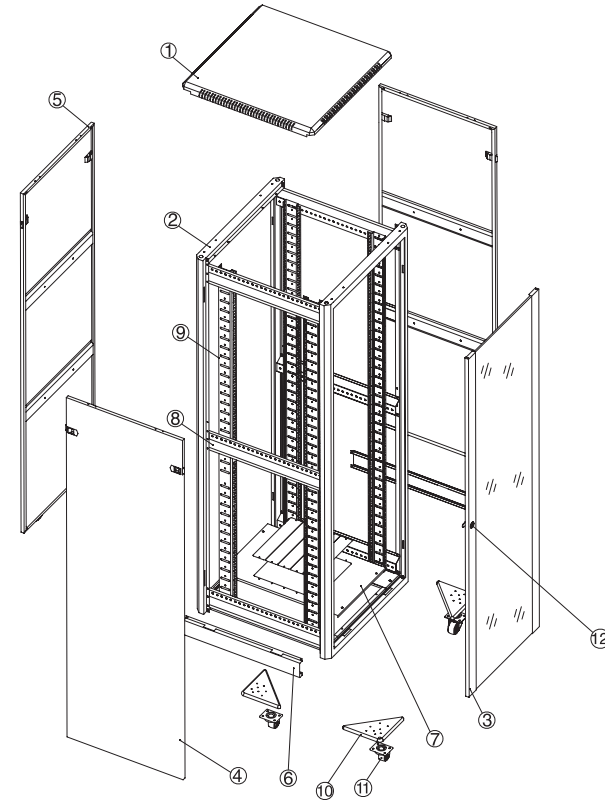
Degreasing, phosphoric, silane, powder coated

Optional

Fixed shelf, fan unit, PDU, cable management, keyboard tray, blank panel



Main Structure

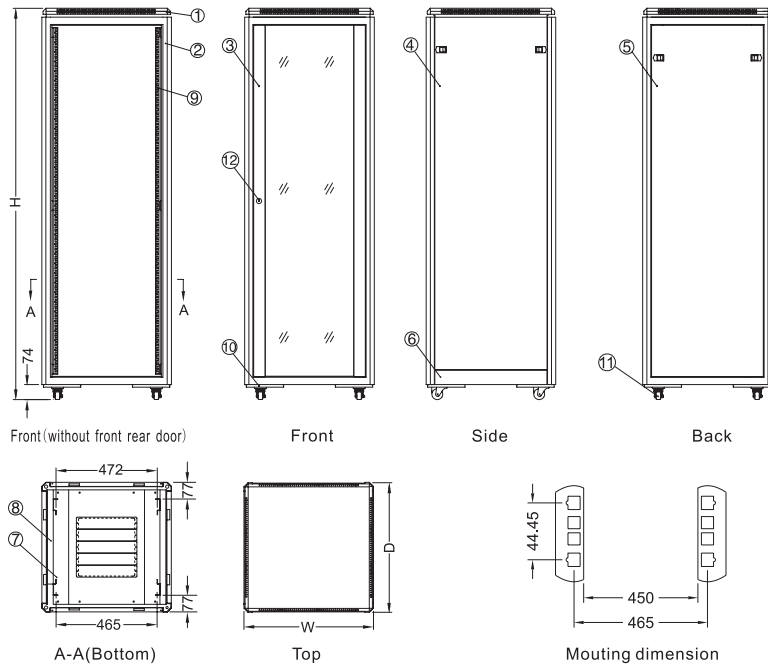


1. Top cover
2. Frame
3. Front door
4. Side panel
5. Rear door
6. Horizontal beam
7. Bottom panel
8. Mounting angle
9. Mounting profile
10. Tray
11. 2" heavy duty castor
12. Small round lock

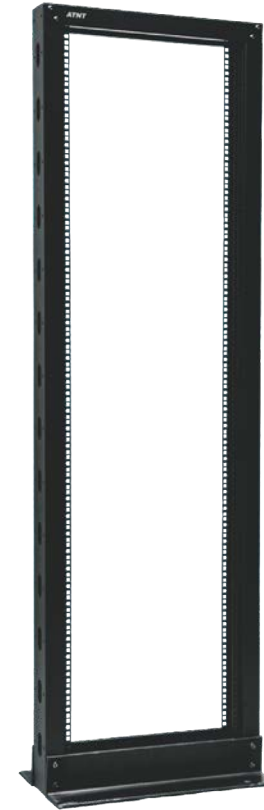
Main parts:

S/N	Specification	Quantity	Unit	Material	Surface finish	Remark
1	Top cover	1	Piece	SPCC cold rolled steel t0.8	Powder coated	-----
2	Frame	2	Piece	SPCC cold rolled steel t1.2	Powder coated	-----
3	Front door	1	Piece	SPCC cold rolled steel t1.2	Powder coated	5MM toughened glass
4	Side panel	2	Piece	SPCC cold rolled steel t0.8	Powder coated	Vented door
5	Rear door	1	Piece	SPCC cold rolled steel t0.8	Powder coated	Vented door
6	Horizontal beam	2	Piece	SPCC cold rolled steel t1.2	Powder coated	-----
7	Bottom panel	1	Piece	SPCC cold rolled steel t0.8	Powder coated	-----
8	Mounting angle	4/6	Piece	SPCC cold rolled steel t1.2	Powder coated	4pcs for lower 27U
9	Mounting profile	4	Piece	SPCC cold rolled steel t1.5	Powder coated	-----
10	Tray	4	Piece	SPCC cold rolled steel t2.0	Powder coated	-----
11	2" heavy duty castor	4	Piece	-----	-----	-----
12	Small round lock	1	Piece	-----	-----	-----
13	Inner 6-angle screws&nuts	20	Piece	-----	-----	-----
14	Adjustable feet	4	Piece	-----	-----	-----
15	Allen wrench	1	Piece	-----	-----	-----

Main Dimension



FAB-CR Open Rack



www.fibramerica.com

Standard FAB-TE Economic Cabinet Specification(including castor height)

Model no.	Width (mm)	Depth (mm)	Height (mm)	Capacity (U)	Packing dimension	Volume (CBM)
FAB-TE-6618	600	600	1095	18U	640*640*1105	0.45
FAB-TE-6818		800			640*840*1105	0.59
FAB-TE-6621	600	600	1140	21U	640*640*1150	0.47
FAB-TE-6821		800			640*840*1150	0.62
FAB-TE-6627	600	600	1405	27U	640*640*1415	0.58
FAB-TE-6827		800			640*840*1415	0.76
FAB-TE-6631	600	600	1585	31U	640*640*1595	0.65
FAB-TE-6831		800			640*840*1595	0.86
FAB-TE-6836	600	600	1805	36U	640*640*1815	0.74
FAB-TE-6836		800			640*840*1815	0.98
FAB-TE-6641	600	600	2030	41U	640*640*2040	0.84
FAB-TE-6841		800			640*840*2040	1.10
FAB-TE-6642	600	600	2075	42U	640*640*2085	0.85
FAB-TE-6842		800			640*840*2085	1.12

Standard

Comply with ANS/EIA, RS-310-D, IEC297-2, DIN41491, PART1, DIN41494, PART7, GB/T3047.2-92 ETSI standard.

Features

- 19" standard installation, adjustable rack height;
- Modular design, easily assemble and disassemble for delivery, low cost;
- Various optional accessories, easy to fix and maintain, stable and strong structure;


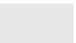
Surface Finish

Degreasing, phosphoric, silane, powder coated

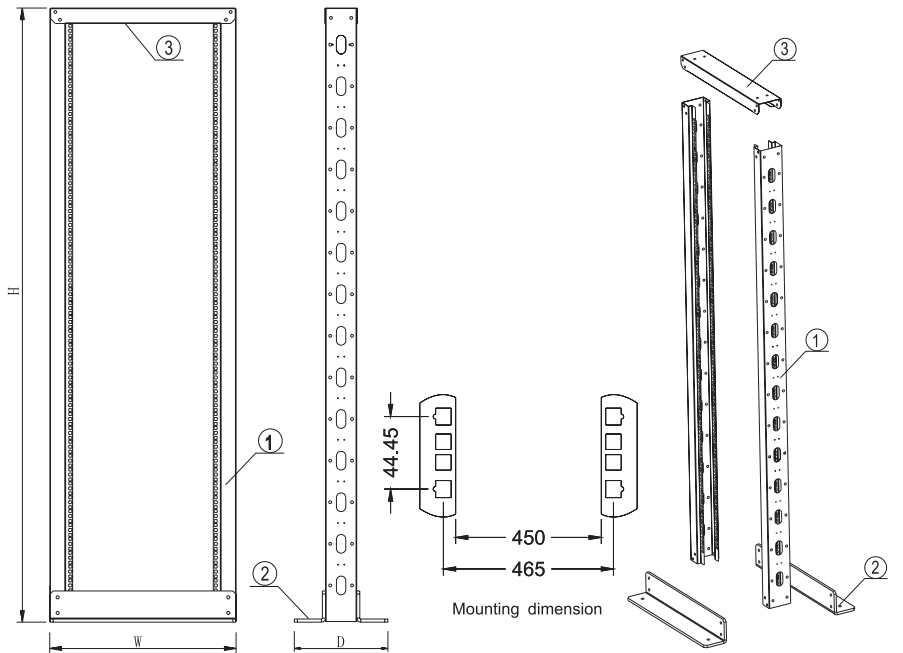
Optional

Fixed shelf, PDU, cable management slot, keyboard panel, blank panel

Colour of cabinet:

Colour Standard	Normal Colour		
Standard	RAL9004 	RAL7035 	Other color

Main Dimension



1. Pole 2. Plinth 3. Horizontal beam

Main parts:

S/N	Specification	Quantity	Unit	Material	Surface finish	Remark
1	Pole	2	Piece	SPCC cold rolled steel t1.5	Powder coated	----
2	Plinth	2	Piece	Steel angle 6.0	Powder coated	----
3	Horizontal beam	1	Piece	SPCC cold rolled steel t1.5	Powder coated	----
4	Inner 6-angle screws&nuts	20	Piece	----	----	----
5	Allen wrench	1	Piece	----	----	----

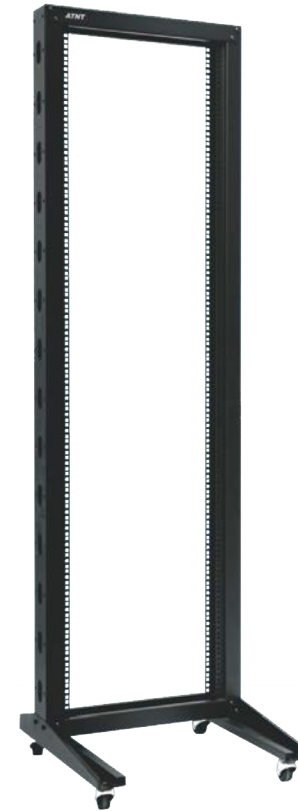
Standard FAB-CR Open Rack Specification

Model no.	Width (mm)	Depth (mm)	Height (mm)	Capacity (U)	Packing dimension	Volume (CBM)
FAB-CR-6322	600	300	1078	22	180*150*1108	0.03
FAB-CR-6327			1300	27	180*150*1330	0.04
FAB-CR-6332			1523	32	180*150*1533	0.04
FAB-CR-6337			1745	37	180*150*1775	0.05
FAB-CR-6342			1967	42	180*150*1977	0.05
FAB-CR-6347			2189	47	180*150*2219	0.06

Colour of cabinet:

Colour Standard	Normal Colour		
Standard	RAL9004	RAL7035	Other color

FAB-OR Open Rack



www.fibramerica.com

Standard

Comply with ANS/EIA, RS-310-D, IEC297-2, DIN41491, PART1, DIN41494, PART7, GB/T3047.2-92 ETSI standard.

Features

- 19" standard installation, adjustable rack height;
- Modular design, easily assemble and disassemble for delivery, low cost;
- Various optional accessories, easy to fix and maintain, stable and strong structure;

Surface Finish

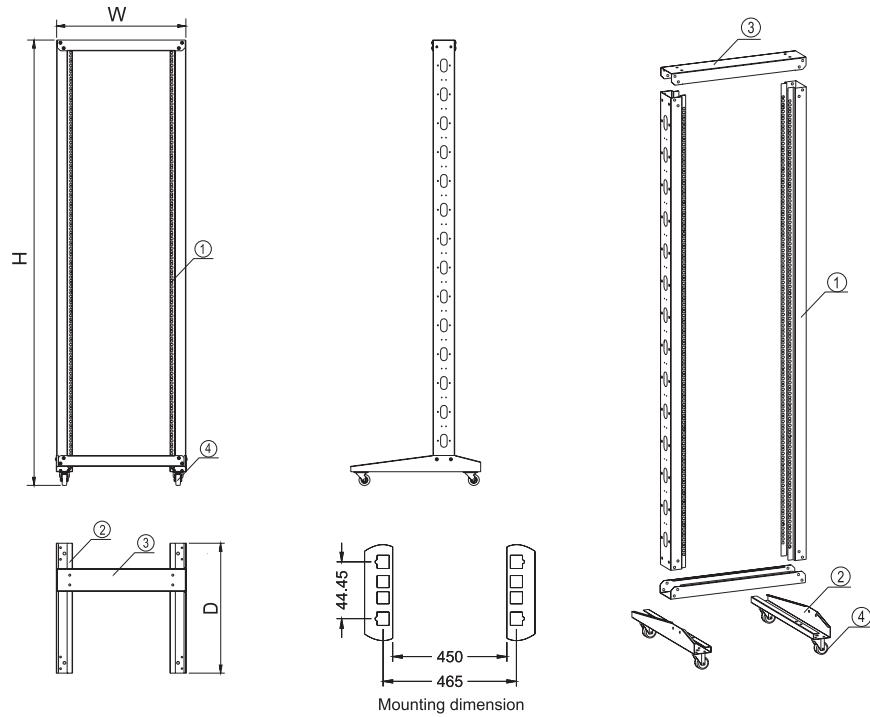
Degreasing, phosphoric, silane, powder coated

Optional

Fixed shelf, PDU, cable management slot, keyboard panel, blank panel

FAB-DR Open Rack

Main Dimension



1. Pole 2. Plinth 3. Horizontal beam 4. Heavy duty castor


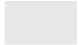
Main parts:

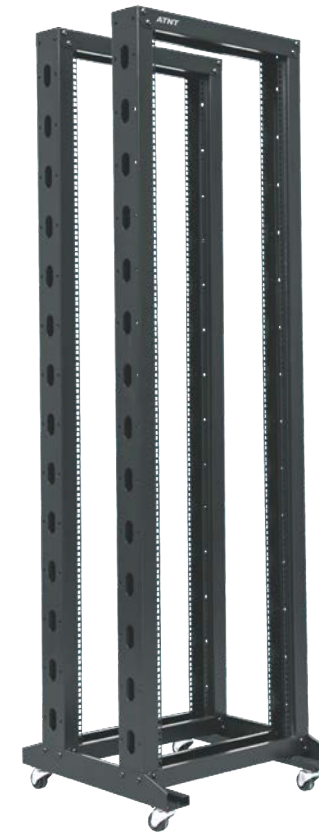
S/ N	Specification	Quantity	Unit	Material	Surface finish	Remark
1	Pole	2	Piece	SPCC cold rolled steel t1.5	Powder coated	----
2	Plinth	2	Piece	SPCC cold rolled steel t1.5	Powder coated	----
3	Horizontal beam	2	Piece	SPCC cold rolled steel t1.5	Powder coated	----
4	Heavy duty castor	4	Piece	----	----	----
5	Inner 6-angle screws&nuts	20	Piece	----	----	----
6	Allen wrench	1	Piece	----	----	----

Standard FAB-OR Open Rack Specification (including 72mm castor)

Model no.	Width (mm)	Depth (mm)	Height (mm)	Capacity (U)	Packing dimension	Volume (CBM)
FAB-OR-6322	600	600	1177	22	180*150*1207	0.03
FAB-OR-6327			1399	27	180*150*1429	0.04
FAB-OR-6332			1622	32	180*150*1652	0.04
FAB-OR-6337			1844	37	180*150*1874	0.05
FAB-OR-6342			2066	42	180*150*2096	0.05
FAB-OR-6347			2188	47	180*150*2218	0.06

Colour of cabinet:

Colour Standard	Normal Colour		
Standard	RAL9004 	RAL7035 	Other color



Comply with ANS/EIA, RS-310-D, IEC297-2, DIN41491, PART1, DIN41494, PART7, GB/T3047.2-92 ETSI standard.

Features

- 19" standard installation, adjustable rack height;
- Modular design, easily assemble and disassemble for delivery, low cost;
- Various optional accessories, easy to fix and maintain, stable and strong structure;

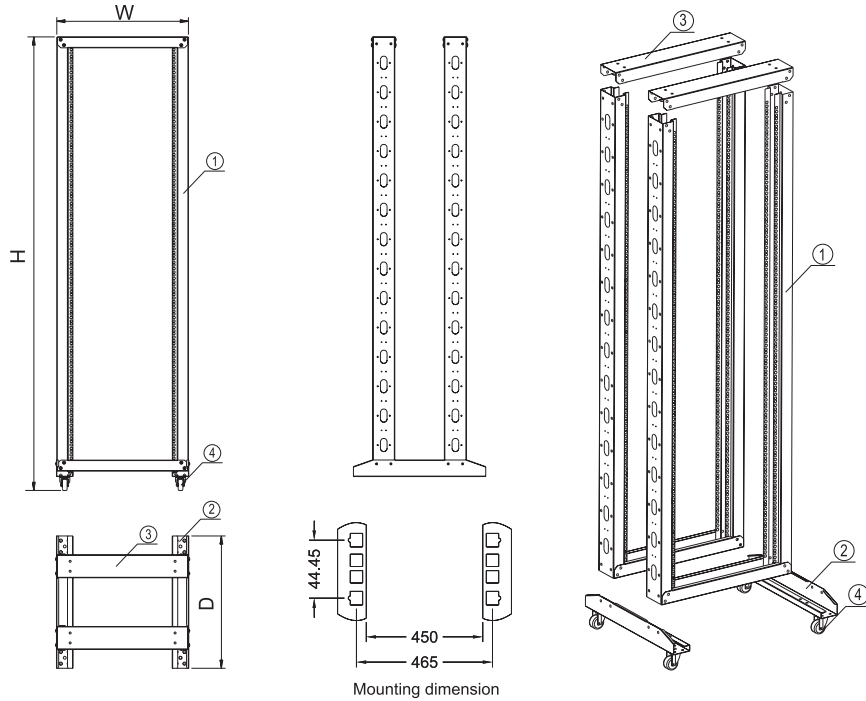
Surface Finish

Degreasing, phosphoric, silane, powder coated

Optional

Fixed shelf, PDU, cable management slot, keyboard panel, blank panel

Main Dimension



1. Pole 2. Plinth 3. Horizontal beam 4. Heavy duty castor

Main parts:

S/N	Specification	Quantity	Unit	Material	Surface finish	Remark
1	Pole	4	Piece	SPCC cold rolled steel t1.5	Powder coated	----
2	Plinth	1	Piece	SPCC cold rolled steel t1.5	Powder coated	----
3	Horizontal beam	4	Piece	SPCC cold rolled steel t1.5	Powder coated	----
4	Heavy duty castor	4	Piece	----	----	----
5	Inner 6-angle screws&nuts	40	Piece	----	----	----
6	Allen wrench	1	Piece	----	----	----

Standard FAB-DR Open Rack Specification (including 72mm castor)

Model no.	Width (mm)	Depth (mm)	Height (mm)	Capacity (U)	Packing dimension	Volume (CBM)
FAB-DR -6322	600	600	1177	22	360*150*1207	0.06
FAB-DR -6327			1399	27	360*150*1429	0.07
FAB-DR -6332			1622	32	360*150*1652	0.09
FAB-DR -6337			1844	37	360*150*1874	0.10
FAB-DR -6342			2066	42	360*150*2096	0.11
FAB-DR -6347			2188	47	360*150*2218	0.12

Colour of cabinet:

Colour Standard	Normal Colour		
Standard	RAL9004	RAL7035	Other color

FAB-CC Series Control Enclosures

Standard

Comply with IEC60529\EN60529.10.91, GB4208-93 standard.

Features

- Strong and stable profiled bar, stable structure, exquisite image spacious inner mounting space;
- Mounting panel(integrated size:25mm) can be adjusted and moveable;
- Top cover, side panel, back panel, bottom panel fixed by screws, easy assemble and installation;
- Side panels(optional) and back panels are fixed by screws, quickly open and door lock open optional;
- 3-sectioned bottom panel, easy to enter cables;
- All-round Polyurethane gasket between door and frame with good sealing performance;
- Door can be open to 130 degrees, open left or right freely;
- Various optional dimension and structure according to customer requirements.

Degree of Protection

IP55

Surface Finish

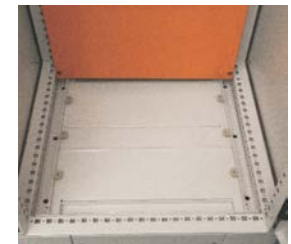
Degreasing, phosphoric, silane, powder coated

Optional

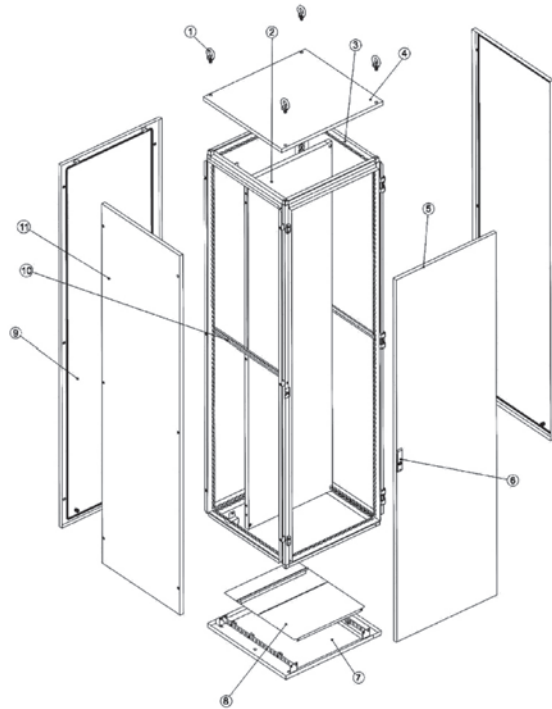
Plinth, mounting panel, grid filter, fan, file pocket, head lamp



www.fibramerica.com

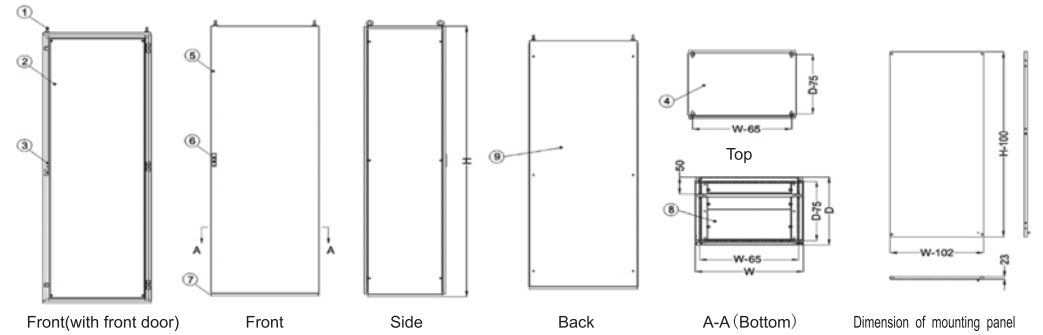


Main Structure



1. Eye bolts 2. Mounting panel 3. Nine folded frame 4. Top cover 5. Front door 6. Lock
7. Bottom panel 8. Cover plate 9. Back panel 10. Cross brace 11. Side panel

Main Dimension



Main parts:

S / N	Specification	Quantity	Unit	Material	Surface finish	Remark
1	Eye bolt	4	Piece	-----	-----	-----
2	Mounting panel	1	Piece	SPCC cold rolled steel t2.0	Powder coated	-----
3	Nine folded frame	1	Piece	SPCC cold rolled steel t1.5	Powder coated	-----
4	Top cover	1	Piece	SPCC cold rolled steel t1.2	Powder coated	-----
5	Front door	1	Piece	SPCC cold rolled steel t2.0	Powder coated	-----
6	Handle lock	1	Piece	-----	-----	-----
7	Back panel	1	Piece	SPCC cold rolled steel t1.5	Powder coated	-----
8	Cover plate	1	Piece	SPCC cold rolled steel t1.5	Powder coated	-----
9	Back panel	1	Piece	SPCC cold rolled steel t1.5	Powder coated	-----
10	Cross brace	2	Piece	SPCC cold rolled steel t2.0	Powder coated	-----
11	Side panel	2	Piece	SPCC cold rolled steel t1.2	Powder coated	-----

Colour of cabinet:

Colour Standard	Normal Colour		
Standard	RAL7032	RAL7035	Mounting panel colour

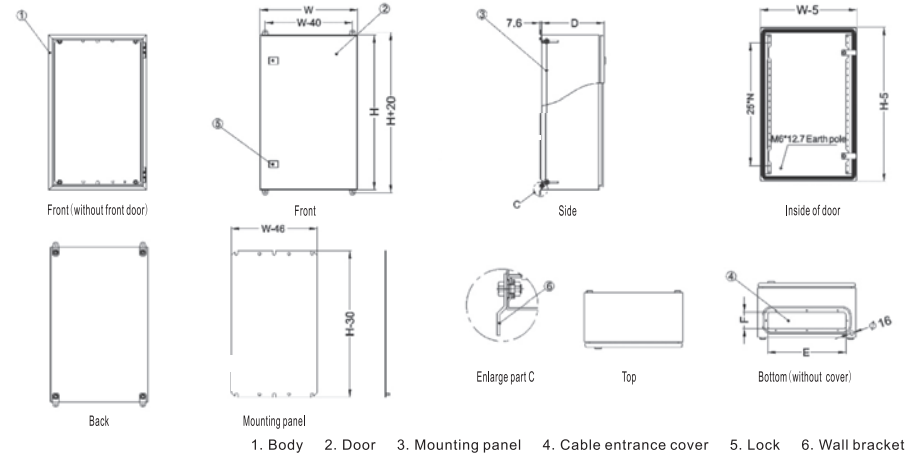
Standard FAB-CC-Control Enclosures Specification

Model no.	Width (mm)	Depth (mm)	Height (mm)	Capacity (U)	Packing dimension	Volume (CBM)
FAB-CC-6418	640	400	1800	/	640*440*1830	0.52
FAB-CC-6420			2000	/	640*440*2030	0.57
FAB-CC-6422	640	400	2200	/	640*440*2230	0.63
FAB-CC-6518			1800	/	640*540*1830	0.63
FAB-CC-6520	640	500	2000	/	640*540*2030	0.70
FAB-CC-6522			2200	/	640*540*2230	0.77
FAB-CC-6618	640	600	1800	/	640*640*1830	0.75
FAB-CC-6620			2000	/	640*640*2030	0.83
FAB-CC-6622	640	600	2200	/	640*640*2230	0.91
FAB-CC-6818			1800	/	640*840*1830	0.98
FAB-CC-6820	640	800	2000	/	640*840*2030	1.09
FAB-CC-6822			2200	/	640*840*2230	1.20
FAB-CC-8418	840	400	1800	/	840*440*1830	0.68
FAB-CC-8420			2000	/	840*440*2030	0.75
FAB-CC-8422			2200	/	840*440*2230	0.82
FAB-CC-8518	840	500	1800	/	840*540*1830	0.83
FAB-CC-8520			2000	/	840*540*2030	0.92
FAB-CC-8500			2200	/	840*540*2230	0.77
FAB-CC-8618	840	600	1800	/	840*640*1830	0.98
FAB-CC-8620			2000	/	840*640*2030	1.09
FAB-CC-6622			2200	/	840*640*2230	1.20
FAB-CC-8818	840	800	1800	/	840*840*1830	1.29
FAB-CC-8820			2000	/	840*840*2030	1.43
FAB-CC-8822			2200	/	840*840*2230	1.57
FAB-CC-0418	1040	400	1800	/	1040*440*1830	0.84
FAB-CC-0420			2000	/	1040*440*2030	0.93
FAB-CC-0422			2200	/	1040*440*2230	1.02
FAB-CC-0518	1040	500	1800	/	1040*540*1830	1.03
FAB-CC-0520			2000	/	1040*540*2030	1.14
FAB-CC-0522			2200	/	1040*540*2230	1.25
FAB-CC-0618	1040	600	1800	/	1040*640*1830	1.22
FAB-CC-0620			2000	/	1040*640*2030	1.35
FAB-CC-0622			2200	/	1040*640*2230	1.48
FAB-CC-0818	1040	800	1800	/	1040*840*1830	1.60
FAB-CC-0820			2000	/	1040*840*2030	1.77
FAB-CC-0822			2200	/	1040*840*2230	1.95

FAB-CB Series Control Enclosures



Main Dimension



Main parts:

S/N	Specification	Quantity	Unit	Material	Surface finish	Remark
1	Body	1	Piece	SPCC cold rolled steel t1.5	Powder coated	-----
2	Door	1	Piece	SPCC cold rolled steel t1.5	Powder coated	-----
3	Mounting panel	1	Piece	SPCC cold rolled steel t2.0	Powder coated	-----
4	Cable entrance cover	1	Piece	SPCC cold rolled steel t1.5	Powder coated	-----
5	Lock	1\2	Piece	-----	-----	With 1keys
6	Wall bracket	4	Piece	SPCC cold rolled steel t2.0	Powder coated	-----
7	Screw	4	Piece	-----	-----	-----

Standard

Comply with IEC60529\EN60529.10.91, GB4208-93 standard.

Features

- Cold rolled steel welded frame with strong structure;
- Multi-folded periphery of the enclosure to avoid water and sundries entering into the inner enclosure;
- Molded door border with exquisite image and strong intensity;
- Door and body are connected by hinge, door can be turned 110 degrees;
- All-round Polyurethane gasket in the door with good protection;
- Mounting hole drilled at the back of the enclosure, convenient for wall mounting;
- Various optional dimension and structure according to customer requirements.

Degree of Protection

Width and height less than 400mm enclosure with IP66

Width and height over 400mm enclosure with IP55

Surface Finish

Degreasing, phosphoric, silane, powder coated


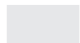

Optional

Plinth, mounting panel, grid filter, fan, file pocket, head lamp

Standard FAB-CB Control Enclosure Specification

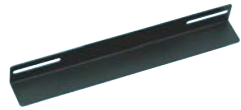
Model no.	Width (mm)	Depth (mm)	Height (mm)	Capacity (U)	Packing dimension	Volume (CBM)
FAB-CB-201220	200	120	200	/	230*150*230	0.01
FAB-CB-201525	200	150	250	/	230*180*280	0.01
FAB-CB-251530	250	150	300	/	280*180*330	0.02
FAB-CB-252030	250	200	300	/	280*230*330	0.02
FAB-CB-302020	300	200	200	/	330*230*230	0.02
FAB-CB-302540	300	250	400	/	330*280*430	0.04
FAB-CB-303060	300	300	600	/	330*330*630	0.07
FAB-CB-401520	400	150	200	/	430*180*230	0.02
FAB-CB-402050	400	200	500	/	430*230*530	0.05
FAB-CB-403060	400	300	600	/	430*330*630	0.09
FAB-CB-503070	500	300	700	/	530*330*730	0.13
FAB-CB-504080	500	400	800	/	530*430*830	0.19
FAB-CB-604060	600	400	600	/	630*430*630	0.17
FAB-CB-605010	600	500	1000	/	630*530*1030	0.34
FAB-CB-702550	700	250	500	/	730*280*530	0.11
FAB-CB-806010	800	600	1000	/	830*630*1030	0.54
FAB-CB-106012	1000	600	1200	/	1030*630*1230	0.80

Colour of cabinet:

Colour Standard	Normal Colour		
Standard	RAL7032 	RAL7035 	Mounting panel colour 

Accessories

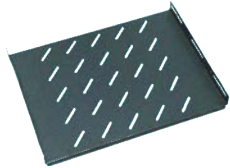
L Rail



- Material: SPCC cold rolled steel thickness - 1.2mm;
- Available for installation in the 19" cabinet;
- Surface finish: Degreasing, silane, powder coated;
- Color: RAL9004 black / RAL7035 white.

Model No.	Depth (mm)	For Cabinet depth(mm)
FAB-A-LDG60	350	600
FAB-A-LDG80	500	800
FAB-A-LDG100	750	over 1000

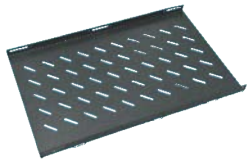
Fixed shelf



- Material: SPCC cold rolled steel thickness - 1.2mm;
- Available for installation in the 19" cabinet;
- Surface finish: Degreasing, silane, powder coated;
- Color: RAL9004 black / RAL7035 white.

Model No.	Width(mm)	Depth (mm)	For Cabinet depth(mm)
FAB-A-GDB60	472	350	600
FAB-A-GDB80	472	500	800
FAB-A-GDB100	472	750	over 1000

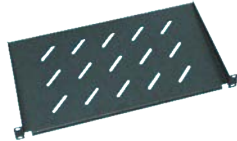
Heavy-duty fixed shelf



- Material: SPCC cold rolled steel thickness - 1.2mm;
- Available for installation in the 19" cabinet;
- Surface finish: Degreasing, silane, powder coated;
- Color: RAL9004 black / RAL7035 white.

Model No.	Width(mm)	Depth (mm)	For Cabinet depth(mm)
FAB-A-ZZB60	472	350	600
FAB-A-ZZB80	472	500	800
FAB-A-ZZB100	472	750	over 1000

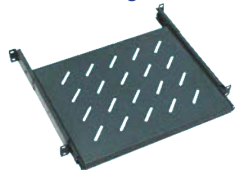
Cantilever shelf



- Material: SPCC cold rolled steel thickness - 1.2mm;
- Available for installation in the 19" cabinet;
- Surface finish: Degreasing, silane, powder coated;
- Color: RAL9004 black / RAL7035 white.

Model No.	Width(mm)	Depth (mm)	Remark
FAB-A-XBB350. 1U	483	350	for 19" cabinet
FAB-A-XBB350. 2U	483	350	for 19" cabinet

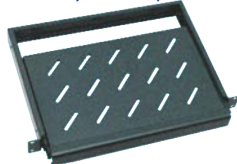
Sliding shelf



- Material: SPCC cold rolled steel thickness - 1.2mm;
- Available for installation in the 19" cabinet;
- Surface finish: Degreasing, silane, powder coated;
- Color: RAL9004 black / RAL7035 white.

Model No.	Width(mm)	Depth (mm)	For Cabinet depth(mm)
FAB-A-HDB60	483	350	600
FAB-A-HDB80	483	500	800
FAB-A-HDB100	483	750	over 1000

Keyboard panel



- Material: SPCC cold rolled steel thickness - 1.2mm;
- Available for installation in the 19" cabinet;
- Surface finish: Degreasing, silane, powder coated;
- Color: RAL9004 black / RAL7035 white.

Model No.	Width(mm)	Depth (mm)	Remark
FAB-A-JPB	483	295	for 19" cabinet

Metal cable management with cap



- Material: SPCC cold rolled steel thickness - 1.2mm;
- Available for installation in the 19" cabinet horizontal line;
- Surface finish: Degreasing, silane, powder coated;
- Color: RAL9004 black / RAL7035 white.

Model No	Specification	Remark
FAB-A-JSDGLXJ1U	1U	for 19" cabinet
FAB-A-JSDGLXJ2U	2U	for 19" cabinet

Metal cable management



- Material: SPCC cold rolled steel thickness - 1.2mm;
- Available for installation in the 19" cabinet horizontal line;
- Surface finish: Degreasing, silane, powder coated;
- Color: RAL9004 black / RAL7035 white.

Model No	Specification	Remark
FAB-A-JSLXJ1U	1U	for 19" cabinet
FAB-A-JSLXJ2U	2U	for 19" cabinet

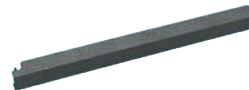
Plastic cable management



- Material: SPCC cold rolled steel thickness - 1.2mm;
- Available for installation in the 19" cabinet;
- Surface finish: Degreasing, silane, powder coated;
- Color: RAL9004 black / RAL7035 white.

Model No	Specification	Remark
FAB-A-SLLXJ1U	1U	for 19" cabinet

Plastic blank panel



- Material: ABS;
- Available for installation in the 19" cabinet;
- Feature: Quick installation without tool;
- Color: RAL9004 black / RAL7035 white.

Model No	Width(mm)	Depth(mm)
FAB-A-SLMB-1U	483	44
FAB-A-SLMB-2U	483	88

Blanking panel



- Material: SPCC cold rolled steel thickness - 0.8mm;
- Available for installation in the 19" cabinet;
- Surface finish: Degreasing, silane, powder coated;
- Color: RAL9004 black / RAL7035 white.

Model No	Width(mm)	Depth(mm)
FAB-A-MB-1U	483	44
FAB-A-MB-2U	483	88
FAB-A-MB-3U	483	133
FAB-A-MB-4U	483	177

Quick-open blanking panel



- Material: SPCC cold rolled steel thickness - 0.8mm;
- Available for installation in the 19" cabinet;
- Surface finish: Degreasing, silane, powder coated;
- Color: RAL9004 black / RAL7035 white.

Model No	Width(mm)	Depth(mm)
FAB-A-KKMB-1U	483	44
FAB-A-KKMB-2U	483	88
FAB-A-KKMB-3U	483	133
FAB-A-KKMB-4U	483	177

Fiber optic patch panel



- Material: SPCC cold rolled steel;
- Specification: 19" drawer/fixd type, easy to operate;
- Surface finish: Degreasing, silane, powder coated;
- Available for simplex SC, FC, ST, LC adapter;
- Color: RAL9004 black / RAL7035 white.

Fan



- Material: SPCC cold rolled steel thickness - 0.8mm;
- Available for installation in the 19" network cabinet;
- Surface finish: Degreasing, silane, powder coated;
- Color: RAL9004 black / RAL7035 white.

Model No	Specification	For Cabinet depth (mm)
FAB-A-FSH2	/	600
FAB-A-FSH4	/	over 800

1U fan unit



- Material: SPCC cold rolled steel thickness - 0.8mm;
- Available for installation in the 19" network cabinet;
- Surface finish: Degreasing, silane, powder coated;
- Color: RAL9004 black / RAL7035 white.

Model No	Specification	Remark
FAB-A-FSDY2F	2 fans	without temperature for 19" cabinet
FAB-A-FSDY3F	3 fans	without temperature for 19" cabinet
FAB-A-FSDY4F	4 fans	without temperature for 19" cabinet

1U fan unit with thermostat



- Material: SPCC cold rolled steel thickness - 1.2mm;
- Available for installation in the 19" network cabinet;
- Surface finish: Degreasing, silane, powder coated;
- Color: RAL9004 black / RAL7035 white.

Model No	Specification	Remark
FAB-A-WKFSDY2F	2 fans	with temperature for 19" cabinet
FAB-A-WKFSDY3F	3 fans	with temperature for 19" cabinet
FAB-A-WKFSDY4F	4 fans	with temperature for 19" cabinet

Wall mount bracket



- Material: SPCC cold rolled steel thickness - 1.5mm;
- Available for installation in cable management and wall mounted;
- Surface finish: Degreasing, silane, powder coated;
- Color: RAL9004 black / RAL7035 white.

Model No	Specification	Remark
FAB-A-QTJ2U	2U*19"	for wall mount installation
FAB-A-QTJ4U	4U*19"	for wall mount installation
FAB-A-QTJ6U	6U*19"	for wall mount installation

Network cabinet plinth



- Material: SPCC cold rolled steel, support items thickness-1.2mm, seal plate thickness:1.2mm;
- Surface finish: Degreasing, silane, powder coated;
- Available for installation in the 19" network cabinet base on the floor;
- Color: RAL9004 black / RAL7035 white.

Model No	Specification	Remark
FAB-A-DZ6610	600W*600D*100H	for network cabinet
FAB-A-DZ6810	600W*800D*100H	for network cabinet
FAB-A-DZ6620	600W*600D*200H	for network cabinet
FAB-A-DZ6820	600W*800D*200H	for network cabinet



6 outlet all usage Chinese - type socket



8 outlet all usage Chinese- type socket



6 outlet all usage Chinese - type PDU



6 outlet Chinese - type PDU



6 outlet UK - type PDU



6 outlet Germany - type PDU



GB 3-pin plug



UK 3-pin plug



American 3-pin plug



Australian 3-pin plug



Germany 3-pin plug



Germany 2-pin plug



Spring lock



MS861 lock



MS731 lock



MS840 - 1 lock



SW-L-68 lock



Moon Shaped lock



MS831 lock



Hand code lock



Cooling fan



Adjustable feet



2" heavy castor



2" castor with braker



2" screw castor



Connector for network cabinet



Connector for server cabinet



Square nut



Inner hex B head screw



Cross flat head screw



FIBRAMÉRICA | Minqing Tancome Technology Co., Ltd
No 42, Baijin East Road, Baijin Industrial Park,
Baizhong Town, Minqing County, Fuzhou, Fujian, China
Phone: +86 18621754882

America office:
Rua Arthur Max Dóose, 183, Sala 2502
Balneário Camboriú – Brasil
Phone: (+55) 47 2033 2231
Contact: comercial@fibramerica.com

www.fibramerica.com

