



FIBRAMÉRICA

FIBER OPTIC TERMINATION BOXES



FIBRAMÉRICA

MINQING FIBRAMERICA TECHNOLOGY

Complete solutions for the intelligent development of fiber optic networks

Minqing Fibramerica Technology, under its trade name FIBRAMÉRICA, is one of the world's leading companies dedicated to the design, development, manufacture, distribution and marketing of advanced optical connectivity solutions. We work closely with the main players in the telecommunications market, such as operators, distributors and importers and installers all over the world, both as OEMs and under our own brand.

Its headquarters are located in Fuzhou, Fujian, China, with sales offices in Shanghai and Ningbo. It also has direct sales units in America, located in Brazil, where all commercial and technical support is provided in Spanish through its engineers and sector specialists. This expansion not only demonstrates its global vision, but also reflects its commitment to localized customer service, providing commercial and technical assistance in the same time zone and language as our customers.

On its path to excellence, FIBRAMÉRICA has adopted a continuous focus on improving processes, integrating emerging technologies and implementing effective communication strategies. Their dedication translates into competitive prices, efficient production times and comprehensive support, from the manufacturing process to product transportation.

Following the strictest international quality norms and standards, such as ISO9001, it guarantees that each of its products meets the quality and functionality expectations of the most demanding customers.

With a vision of the future, FIBRAMÉRICA focuses its efforts on developing and adapting new products, tailored to the specificities and needs of each project, from the initial design stage to final production.



FIBER OPTIC TERMINATION BOXES

Fibramérica's Optical Termination Boxes and Optical Rosettes showcase the company's dedication to innovation, quality, and versatility. Engineered with advanced technology, these products are designed to meet the varied needs of modern telecommunications infrastructure by providing reliable, cost-effective solutions. Each unit is carefully crafted to ensure high performance, flexibility, and easy integration into diverse environments, making them suitable for both urban and rural applications.

Understanding that each project has unique requirements, We offers a broad selection of options with port capacities from 2 to 64, and IP protection levels that cater to different environmental challenges. This extensive range includes customizable colors, materials, and designs, which not only enhance the aesthetic appeal of the products but also contribute to seamless system integration worldwide.

Ours commitment to research and development ensures that its products remain

relevant in a rapidly evolving market. Rigorous testing guarantees durability and optimal performance, while strategic investments in technology keep Fibramérica at the forefront of innovation. This approach allows Fibramérica to anticipate future industry needs and develop products that meet the highest standards of quality and functionality.

The competitive pricing and flexible financing options show an understanding of the global marketplace's challenges. Optimized manufacturing processes support high-quality production standards, while a dedicated support team ensures customers receive assistance throughout the product lifecycle.

Fibramérica's Optical Termination Boxes and Optical Rosettes represent a trusted solution for companies looking to strengthen their telecommunications infrastructure. By choosing Fibramérica, clients are investing in a partnership grounded in reliability, innovation, and a shared commitment to success.





Termination Box FAB-HGT-1B



Main Features

- It is used for different kinds of modules and applied to the working area subsystem.
- It uses embedded surface frame, easy to install and disassemble.
- It is with protective door and dusty free.
- Can do OEM for any customers and print requested logo.

Specifications	
Material	ABS+PC
L*W*H (mm)	241*73*30
Cable entry size (mm)	5
Cable outlet size (mm)	5
IP code	IP68
Capacity	1 adapter SC

Termination Box FAB-HGT-2A



Main Features

- Advanced structure design, easy operation and reasonable routing.
- Material: PC+ABS/ABS
- Moisture proof, waterproof, dustproof, anti-aging.
- Protection level up to IP65.
- Installation method: pole-mounted, wall-mounted

Specifications	
Material	PC+ABS/ABS
L*W*H (mm)	175*122*31
Max Splicing Capacity (core)	8
Max Input (mm)	Ø9
Max Output (mm)	2*3~3*6
Max Adapter (Pcs)	2
PLC Splitter (Pcs)	PLC 1*2/1*4
IP Code	IP65
Packing Information	G.W: 13Kg QTY: 50pcs MEAS.: 665*380*205mm

Termination Box FAB-HGT-2B



Main Features

- Total enclosed structure, be in nice shape.
- Material is PC+ABS, wet-proof, water-proof, dust-proof, anti-ging, protection level up to IP65.
- Clamping for feeder cable and drop cable, fiber splicing, fixation, storage, distribution...etc all in one.
- Cable, pigtails, patch cords are running through own path without disturbing each other.
- Distribution panel can be flipped up, feeder cable can be placed in a cup-joint way.
- Installation method: wall-mounted.

Specifications	
Material	PC+ABS/ABS
L*W*H (mm)	152*133*37
Max Splicing Capacity (core)	2
Max Input (mm)	Ø9
Max Output (mm)	2*3
Max Adapter (Pcs)	2
PLC Splitter (Pcs)	/
IP Code	IP65
Packing Information	G.W:10.7Kg QTY:40 pcs MEAS.:535*330*300mm

Termination Box FAB-HGT-2F



Main Features

- It uses embedded surface frame, easy to install and disassemble, it is with protective door and dusty free, can do OEM for any customers and print requested LOGO.
- It is used for different kinds of modules and applied to the working area subsystem.

Specifications	
Material	PC+ABS
L*W*H (mm)	180*58*21
Max Splicing Capacity (core)	2
Cable entry / out size (mm)	2*3 drop cable
	Ø4.5 round cable
Net weight of single product	0.07kg
Environmental protection	Against UV ultraviolet rays
PLC Splitter (Pcs)	1(1*4)
IP Code	IP66
Protection against fungi	ISO 846 - A



Main Features

- Advanced structure design easy operation and reasonable routing.
- Material: PC+ABS/ABS.
- Moisture proof, waterproof, dust-proof, anti-aging.
- Protection level up to IP65.
- Installation method: pole-mounted, wall-mounted.

Specifications	
Material	PC+ABS/ABS
L*W*H (mm)	206*135*40
Max Splicing Capacity (core)	8
Max Input (mm)	Ø9
Max Output (mm)	2*3~3*6
Max Adapter (Pcs)	4
PLC Splitter (Pcs)	1(1*4)
IP Code	IP65
Packing Information	G.W.:14Kg QTY:40 pcs MEAS.:590*445*270mm



Main Features

- Total enclosed structure.
- Material: PC+ABS.
- Wet-proof, water-proof, dust-proof, anti-aging.
- Protection level up to IP65.
- Cable, pigtails, patch cords are running through own path without disturbing each other.
- Distribution panel can be flipped up, feeder cable can be placed by express port.
- Wall-mounted or poled-mounted.

Specifications	
Material	PC+ABS/ABS
L*W*H (mm)	206*129*44
Max Splicing Capacity (core)	8
Max Input (mm)	12
Max Output (mm)	2*3~4*7
Max Adapter (Pcs)	4
PLC Splitter (Pcs)	1(1*4)
IP Code	IP65
Packing Information	G.W.:15.3Kg QTY:40 pcs MEAS.:590*445*270mm

Termination Box FAB-HGT-4D

Termination Box FAB-HGT-4K



Main Features

- Water-proof design with IP65 protection level.
- Manage fibers in a reasonable fiber radius condition.
- Easy to maintain and extend the capacity.
- Fiber bend radius control more than 40mm.
- 1*2 or 1*4 splitter can be installed as an option.
- 8 ports cable entrance for FTTH drop cable.

Main Features

- Total enclosed structure, be in nice shape.
- Material is PC+ABS.
- Wet-proof, water-proof, dust-proof, anti-aging.
- Protection level up to IP54.
- Cable, pigtails, patch cords are running through own path without disturbing each other.
- Distribution panel can be flipped up, feeder cable can be placed by express port.
- Wall-mounted or poled-mounted.

Specifications

Material	PC+ABS/ABS
L*W*H (mm)	182*174*45
Max Splicing Capacity (core)	4
Max Input (mm)	2*8
Max Output (mm)	8*(2x3)
Max Adapter (Pcs)	4
PLC Splitter (Pcs)	1(1*4 or 1*2)
IP Code	IP65
Empty Weight (kg)	0.6

Specifications

Material	PC+ABS/ABS
L*W*H (mm)	193*149*40
Max Splicing Capacity (core)	6
Max Input (mm)	Ø9
Max Output (mm)	/
Max Adapter (Pcs)	6
PLC Splitter (Pcs)	/
IP Code	IP54
Packing Information	G.W.:11.9Kg QTY:40 pcs MEAS.:425*330*570mm

Termination Box FAB-HGT-4K-1



Main Features

- Total enclosed structure, be in nice shape.
- Material is PC+ABS.
- Wet-proof, water-proof, dust-proof, anti-aging.
- Protection level up to IP54.
- Cable, pigtails, patch cords are running through own path without disturbing each other.
- Distribution panel can be flipped up, feeder cable can be placed by express port.
- Wall-mounted or poled-mounted.

Specifications

Material	PC+ABS/ABS
L*W*H (mm)	193*149*40
Max Splicing Capacity (core)	6
Max Input (mm)	Ø9
Max Output (mm)	/
Max Adapter (Pcs)	6
PLC Splitter (Pcs)	/
IP Code	IP54
Packing Information	G.W.:11.9Kg QTY:40 pcs MEAS.:425*330*570mm

Termination Box FAB-HGT-4K-2



Main Features

- Total enclosed structure, be in nice shape.
- Material is PC+ABS.
- Wet-proof, water-proof, dust-proof, anti-aging.
- Protection level up to IP54.
- Cable, pigtails, patch cords are running through own path without disturbing each other.
- Distribution panel can be flipped up, feeder cable can be placed by express port.
- Wall-mounted or poled-mounted.

Specifications

Material	PC+ABS/ABS
L*W*H (mm)	193*149*40
Max Splicing Capacity (core)	6
Max Input (mm)	Ø9
Max Output (mm)	/
Max Adapter (Pcs)	6
PLC Splitter (Pcs)	/
IP Code	IP54
Packing Information	G.W.:11.9Kg QTY:40 pcs MEAS.:425*330*570mm



Main Features

- Total enclosed structure, be in nice shape.
- Material is PC+ABS.
- Wet-proof, water-proof, dust-proof, anti-aging.
- Protection level up to IP54.
- Cable, pigtails, patch cords are running through own path without disturbing each other.
- Wall-mounted.

Specifications	
Material	PC+ABS/ABS
L*W*H (mm)	193*149*40
Max Splicing Capacity (core)	6
Max Input (mm)	Ø9
Max Output (mm)	/
Max Adapter (Pcs)	6
PLC Splitter (Pcs)	/
IP Code	IP54
Packing Information	G.W.:11.9Kg QTY:40 pcs MEAS.:425*330*570mm



Main Features

- Total enclosed structure, be in nice shape.
- Material is PC+ABS.
- Wet-proof, water-proof, dust-proof, anti-aging.
- Protection level up to IP54.
- Cable, pigtails, patch cords are running through own path without disturbing each other.
- Distribution panel can be flipped up, feeder cable can be placed by express port.
- Wall-mounted or poled-mounted.

Specifications	
Material	PC+ABS/ABS
L*W*H (mm)	235*126*51
Max Splicing Capacity (core)	6
Max Input (mm)	Ø9
Max Output (mm)	/
Max Adapter (Pcs)	6
PLC Splitter (Pcs)	/
IP Code	IP54
Packing Information	G.W.:11.9Kg QTY:40 pcs MEAS.:425*330*570mm

**NEW
ARRIVAL**

Termination Box **MAXBOX68-8A**



Main Features

- Advanced structure design, easy operation and reasonable routing.
- Material: PP+GF.
- Moisture proof, waterproof, dust-proof, anti-aging.
- Protection level up to IP68.
- 1 oval optical cable entry, 2 branch optical cable entries and 16 pre-connected adapters.
- Various types of splice trays are available.
- Installation method: pole-mounted, aerial-mounted, wall-mounted.

Specifications

Material	PP+GF
L*W*H (mm)	356*217*132
Installation hole position(mm)	300*193
Size and quantity of optical cable hole	1 oval optical cable entry, 2 branch optical cable entries and 16 pre-connected adapters
Fusion capacity(Max)	64 / 96 / 100
Micro PLC Splitter	1*2, 1*4, 1*8
Fiber cable diameter of the uncut pass through port(mm)	Ø18
IP Code	IP68

Termination Box FAB-HGT-8A



Main Features

- Total enclosed structure, be in nice shape.
- Material is PC+ABS.
- Wet-proof, water-proof, dust-proof, anti-aging.
- Protection level up to IP65.
- Cable, pigtails, patch cords are running through own path without disturbing each other.
- Distribution panel can be flipped up, feeder cable can be placed by express port.
- Wall-mounted or poled-mounted.

Specifications	
Material	PC+ABS/ABS
L*W*H (mm)	228*172*47
Max Splicing Capacity (core)	8
Max Input (mm)	12
Max Output (mm)	2*3
Max Adapter (Pcs)	8
PLC Splitter (Pcs)	1/8*1
IP Code	IP65
Packing Information	G.W.:24.4Kg QTY:40 pcs MEAS.:500*385*620mm

Termination Box FAB-HGT-8A-1



Main Features

- Advanced structure design.
- Material: PP or PC+ABS.
- Moisture proof, waterproof, dust-proof, anti-aging.
- Protection level up to IP65.
- 3 cable entries.
- Pole-mounted, aerial-mounted or wall-mounted.

Specifications	
Material	PC+ABS/PP+GF
L*W*H (mm)	281*177*80
Max Splicing Capacity (core)	36
Max Input (mm)	3*(Ø14)
Max Output (mm)	8*(2*3~5)
Max Adapter (Pcs)	8
PLC Splitter (Pcs)	1/8*2
IP Code	IP65
Packing Information	G.W.:12.9Kg QTY:10 pcs MEAS.:400*310*565mm



Main Features

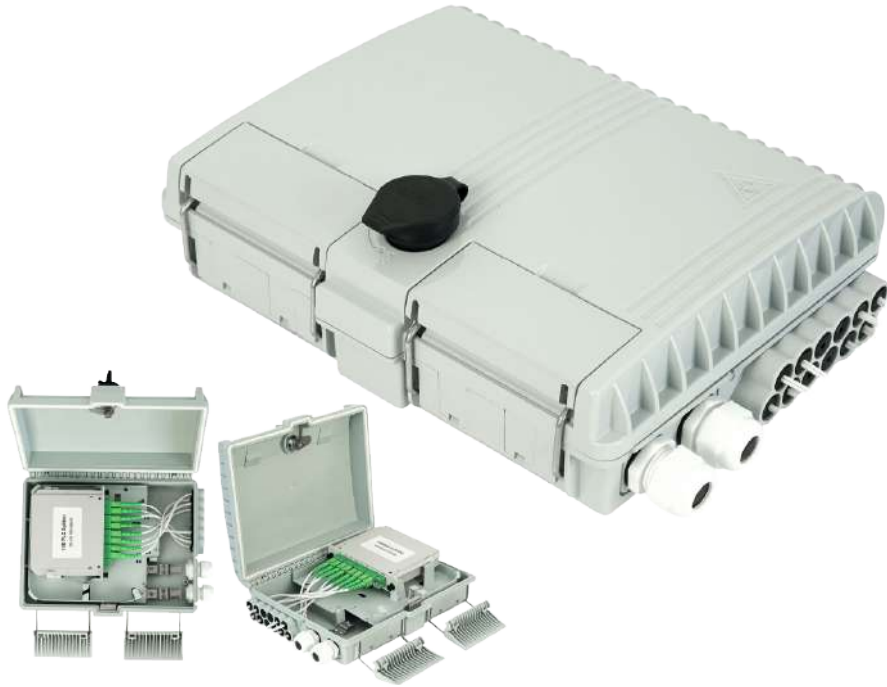
- Advanced structure design.
- Material: PP or PC+ABS.
- Moisture proof, waterproof, dust-proof, anti-aging.
- Protection level up to IP65.
- 3 cable entries.
- Pole-mounted, aerial-mounted or wall-mounted.

Main Features

- Advanced structure design.
- Material: PP or PC+ABS.
- Moisture proof, waterproof, dust-proof, anti-aging.
- Protection level up to IP65.
- 1 oval optical cable entry, 12 drop cable ports.
- Installation method: Pole-mounted, aerial-mounted or wall-mounted.

Specifications	
Material	PC+ABS/PP+GF
L*W*H (mm)	281*177*80
Max Splicing Capacity (core)	36
Max Input (mm)	3*(Ø14)
Max Output (mm)	8*(2*3~5)
Max Adapter (Pcs)	9
PLC Splitter (Pcs)	1/8*2
IP Code	IP65
Packing Information	G.W.:12.9Kg QTY:10 pcs MEAS.:400*310*565mm

Specifications	
Material	ABS+PC/ABS
L*W*H (mm)	250*200*72
Max Splicing Capacity (core)	12
Max Input (mm)	2*(Ø18)
Max Output (mm)	12*(Ø2~10)
Max Adapter (Pcs)	8 SC
PLC Splitter (Pcs)	1*(1*8)
IP Code	IP65
Packing Information	G.W.:13.7Kg QTY:10 pcs MEAS.:460*290*570mm



Main Features

- Advanced structure design.
- Material: PC +ABS or ABS.
- Moisture proof, waterproof, dust-proof, anti-aging.
- Protection level up to IP65.
- 1 oval optical cable entry, 12 drop cable ports.
- Installation method: Pole-mounted, aerial-mounted or wall-mounted.

Specifications	
Material	ABS+PC/ABS
L*W*H (mm)	267*207*95
Max Splicing Capacity (core)	26
Max Input (mm)	Ø8~18
Max Output (mm)	2*3~Ø5
Max Adapter (Pcs)	/
PLC Splitter (Pcs)	1*(1*8)
IP Code	IP65
Packing Information	G.W.:13.5Kg QTY:10 pcs MEAS.:460*290*570mm



Main Features

- Total enclosed structure, be in nice shape.
- Material is PC+ABS.
- Wet-proof, water-proof, dust-proof, anti-aging.
- Protection level up to IP65.
- Cable, pigtails, patch cords are running through own path without disturbing each other.
- Wall-mounted.

Specifications	
Material	ABS+PC/ABS
L*W*H (mm)	207*160*46
Max Splicing Capacity (core)	8
Max Input (mm)	12(PG13.5)
Max Output (mm)	12(PG13.5)
Max Adapter (Pcs)	8
PLC Splitter (Pcs)	1*8
IP Code	IP65
Packing Information	G.W.:21Kg QTY:40 pcs MEAS.:450*385*620mm

Termination Box FAB-HGT-8CY

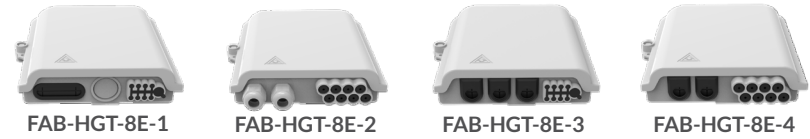


Main Features

- Advanced structure design.
- Material: PC+ABS.
- Dust-proof, anti-aging.
- Protection level up to IP20.
- The interior is equipped with 1x2 FTB splitter, 1x8 PLC splitter.
- Installation method: wall-mounted.

Specifications	
Material	ABS+PC/ABS
L*W*H (mm)	189*127*60
Max Splicing Capacity (core)	2
Max Input (mm)	/
Max Output (mm)	/
Max Adapter (Pcs)	10
PLC Splitter (Pcs)	1*2 FBT+1*8 PLC
IP Code	IP20
Packing Information	G.W.:17Kg QTY:40 pcs MEAS.:420*270*630mm

Termination Box FAB-HGT-8E



Main Features

- Advanced structure design, easy operation and reasonable routing.
- Material: PC+ABS.
- Moisture proof, waterproof, dust-proof, anti-aging.
- Protection level up to IP68.
- Multiple entry and exit interfaces to choose from.
- Installation method: pole-mounted, wall-mounted.

Specifications	
Material	ABS+PC/ABS
L*W*H (mm)	227*181*54.5
Max Splicing Capacity (core)	8
Max Input (mm)	12(PG13.5)
Max Output (mm)	2*3-Ø5
Max Adapter (Pcs)	8
PLC Splitter (Pcs)	1*8*1
IP Code	IP65
Packing Information	G.W.:14.1Kg QTY:20 pcs MEAS.:530*420*390mm

Termination Box FAB-HGT-8F



Main Features

- Total enclosed structure.
- Material: PC+ABS.
- Wet-proof, water-proof, dust-proof, anti-aging.
- Protection level up to IP65.
- Clamping for feeder cable and drop cable, fiber splicing, fixation, storage, distribution...etc all in one.
- Cable, pigtails, patch cords are running through own path without disturbing each other.
- Wall-mounted.

Specifications

Material	ABS+PC/ABS
L*W*H (mm)	216*155*45
Max Splicing Capacity (core)	16
Max Input (mm)	1*(Ø6.5)
Max Output (mm)	8*(Ø2~3)/4*Ø5
Max Adapter (Pcs)	8
PLC Splitter (Pcs)	1*8*2
IP Code	IP65
Packing Information	G.W.:16Kg QTY:40 pcs MEAS.:456*356*600mm

Termination Box FAB-HGT-8G



Main Features

- Gel sealing for excellent sealing and re-sealing performance.
- High quality engineering material of PP with good mechanical strength, sturdiness and durability.
- Clamping for feeder cable and drop cable, fiber splicing, fixation, storage and distribution in one box.

Specifications

Material	PP
L*W*H (mm)	232*156*53.2
Max Splicing Capacity (core)	8
Max Input (mm)	8~16
Drop Cable Diameter (mm)	3mm round cable, 2x3mm drop cable
Max Adapter (Pcs)	8
PLC Splitter (Pcs)	1*8
IP Code	IP67
Installation Method	Wall mounting and pole mounting (pole ring is optional)

Termination Box FAB-HGT-8H



Main Features

- Total enclosed structure.
- Material: PC+ABS.
- Wet-proof, water-proof, dust-proof, anti-aging.
- Protection level up to IP65.
- Clamping for feeder cable and drop cable, fiber splicing, fixation, storage, distribution...etc all in one.
- Wall-mounted or poled-mounted, suitable for both indoor and outdoor uses.

Specifications

Material	PC+ABS/ABS
L*W*H (mm)	233*214*66
Max Splicing Capacity (core)	28
Max Input (mm)	15
Max Output (mm)	2*3
Max Adapter (Pcs)	/
PLC Splitter (Pcs)	1(1*8 plug-in splitter)
IP Code	IP65
Packing Information	G.W.:20Kg QTY:20 pcs MEAS.:500*480*510mm







Main Features

- Advanced structure design, easy operation and reasonable routing.
- Material: PP.
- Moisture proof, waterproof, dust-proof, anti-aging.
- Protection level up to IP65.
- 2 cable entries.
- Installation method: pole-mounted, aerial-mounted and wall-mounted.

Specifications

Material	PP
L*W*H (mm)	268*154*83
Max Splicing Capacity (core)	24
Max Input (mm)	2*(Ø12)
Max Output (mm)	8*(2*3)
Max Adapter (Pcs)	9
PLC Splitter (Pcs)	1/8*2
IP Code	IP65
Packing Information	G.W.:12Kg QTY:10 pcs MEAS.:370*295*570mm



Main Features

- Advanced structure design, easy operation and reasonable routing.
- Material: PP.
- Moisture proof, waterproof, dust-proof, anti-aging.
- Protection level up to IP65.
- 2 cable entries.
- Installation method: pole-mounted, aerial-mounted and wall-mounted.

Specifications

Material	PP
L*W*H (mm)	268*154*83
Max Splicing Capacity (core)	48
Max Input (mm)	2*(Ø12)
Max Output (mm)	8*(2*3)
Max Adapter (Pcs)	/
PLC Splitter (Pcs)	1/8*2
IP Code	IP65
Packing Information	G.W.:12Kg QTY:10 pcs MEAS.:370*295*570mm

Termination Box FAB-HGT-8Q



Main Features

- Advanced structure design, easy operation and reasonable routing.
- Material: PP or PC+ABS.
- Moisture proof, waterproof, dust-proof, anti-aging.
- Protection level up to IP68.
- 1 oval optical cable entry.
- Installation method: pole-mounted, aerial-mounted and wall-mounted.

Specifications	
Material	PC+ABS/PP
L*W*H (mm)	280*182*82
Max Splicing Capacity (core)	12
Max Input (mm)	13
Max Output (mm)	2*3~7
Max Adapter (Pcs)	8
PLC Splitter (Pcs)	1*8*1
IP Code	IP68
Packing Information	G.W.:15Kg QTY:10 pcs MEAS.:410*315*510mm

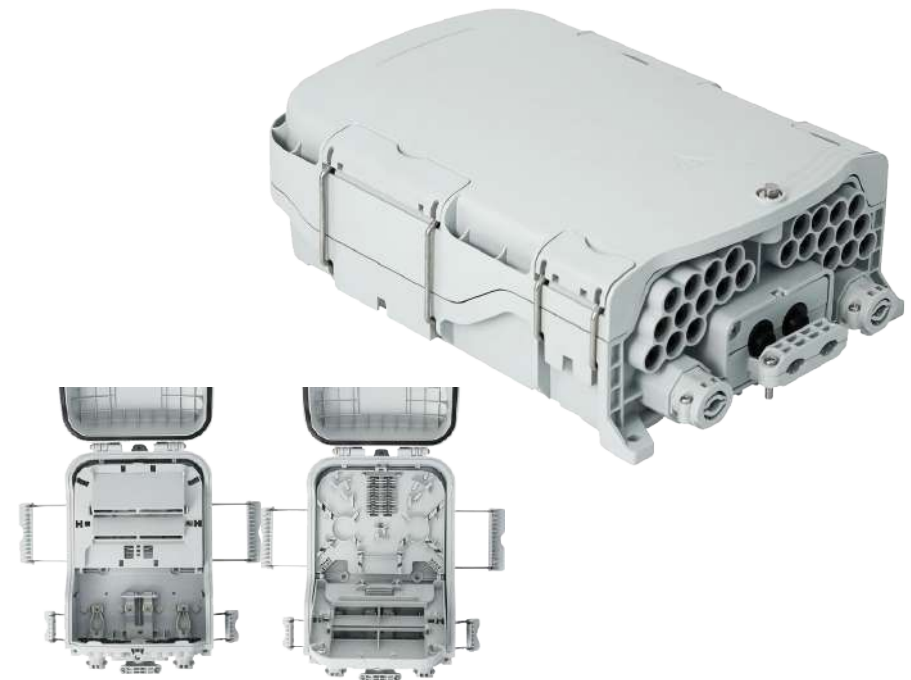
Termination Box FAB-HGT-8S



Main Features

- Support pole/wall mounting, pedestal mounting and aerial cable mounting installation.
- Manage fibers in a reasonable fiber radius condition.
- Fiber bend radius control more than 40mm.
- 1*8 micro type splitter can be installed.
- 8 pcs SC/APC adapter can be installed.
- 8 ports cable entrance for distribution cables for option, 2*3mm FTTH drop cable.

Specifications	
Material	PC+ABS/PP
L*W*H (mm)	280*182*82
Max Splicing Capacity (core)	24
Max Input (mm)	4 * Ø8-13
Max Output (mm)	8 * 2x3
Max Adapter (Pcs)	8
PLC Splitter (Pcs)	1*8
IP Code	IP68
Packing Information	G.W.:20Kg QTY:12 pcs MEAS.:570*500*325mm



Main Features

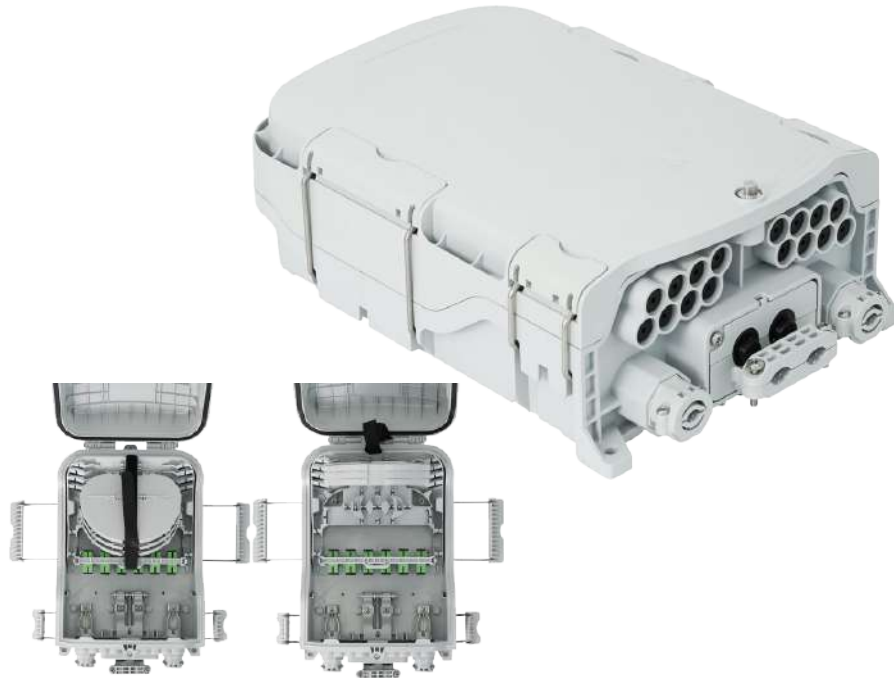
- Advanced structure design, easy operation and reasonable routing.
- Material: PP or PC+ABS.
- Moisture proof, waterproof, dust-proof, anti-aging.
- Protection level up to IP68.
- 1 oval optical cable entry, 2 branch optical cable entries and 16 pcs. of household.
- Installation method: pole-mounted, aerial-mounted, wall-mounted.

Main Features

- Advanced structure design, easy operation and reasonable routing.
- Material: PP or PC+ABS.
- Moisture proof, waterproof, dust-proof, anti-aging.
- Protection level up to IP65.
- 1 oval optical cable entry, 2 branch optical cable entries and 24 pcs. of household.
- Installation method: pole-mounted, aerial-mounted, wall-mounted.

Specifications	
Material	PC+ABS/ABS
L*W*H (mm)	319*200*97
Max Splicing Capacity (core)	36
Max Input (mm)	2*(Ø18)
Max Output (mm)	16
Max Adapter (Pcs)	8 (mini sc)
PLC Splitter (Pcs)	1*8*3
IP Code	IP68
Packing Information	G.W.:14Kg QTY:10 pcs MEAS.:450*360*630mm

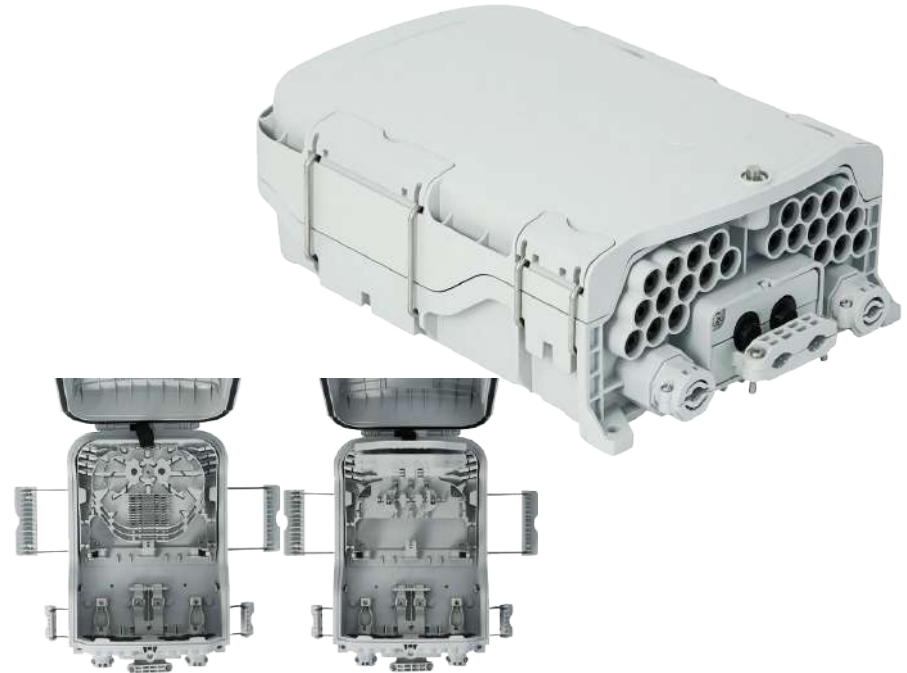
Specifications	
Material	PC+ABS/ABS
L*W*H (mm)	319*200*97
Max Splicing Capacity (core)	24
Max Input (mm)	18
Max Output (mm)	2*3~5
Max Adapter (Pcs)	24
PLC Splitter (Pcs)	1*8: 3 pcs
IP Code	IP65
Packing Information	G.W.:14Kg QTY:10 pcs MEAS.:450*360*630mm



Main Features

- Advanced structure design, easy operation and reasonable routing.
- Material: PP or PC+ABS.
- Moisture proof, waterproof, dust-proof, anti-aging.
- Protection level up to IP68.
- 1 oval optical cable entry, 2 branch optical cable entries and 16 pcs. of household.
- Installation method: pole-mounted, aerial-mounted, wall-mounted.

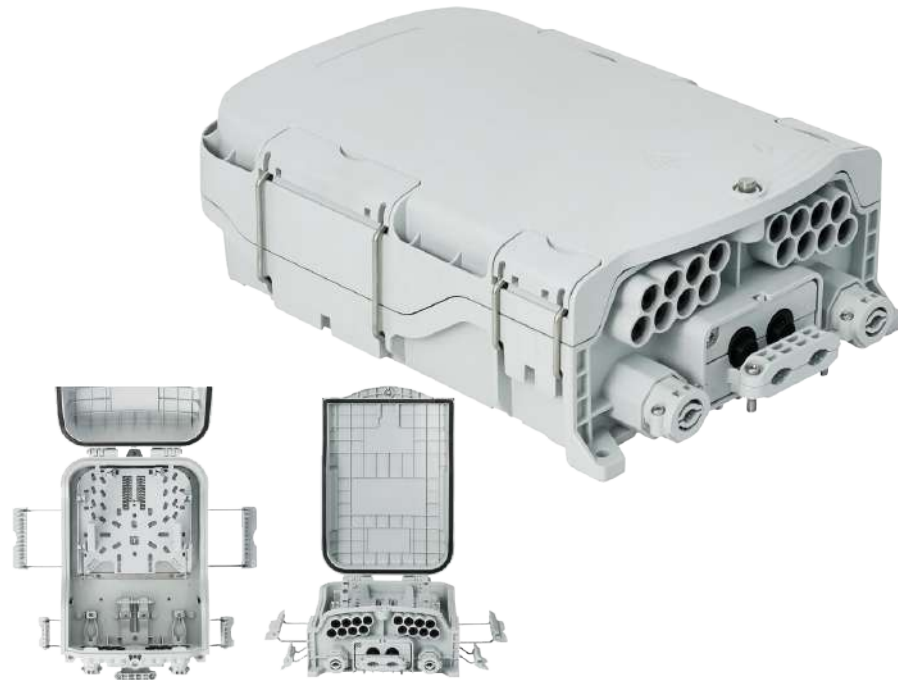
Specifications	
Material	PC+ABS/ABS
L*W*H (mm)	319*200*97
Max Splicing Capacity (core)	96
Max Input (mm)	18
Max Output (mm)	2*3~5
Max Adapter (Pcs)	16
PLC Splitter (Pcs)	1*8 / 1*16
IP Code	IP65
Packing Information	G.W.:14Kg QTY:10 pcs MEAS.:450*360*630mm



Main Features

- Advanced structure design, easy operation and reasonable routing.
- Material: PP or PC+ABS.
- Moisture proof, waterproof, dust-proof, anti-aging.
- Protection level up to IP65.
- 1 oval optical cable entry, 2 branch optical cable entries and 24 pcs. of household.
- Installation method: pole-mounted, aerial-mounted, wall-mounted.

Specifications	
Material	PC+ABS/ABS
L*W*H (mm)	319*200*97
Max Splicing Capacity (core)	72
Max Input (mm)	18
Max Output (mm)	2*3~5
Max Adapter (Pcs)	24
PLC Splitter (Pcs)	1*8 / 1*16
IP Code	IP65
Packing Information	G.W.:14Kg QTY:10 pcs MEAS.:450*360*630mm



Main Features

- Advanced structure design, easy operation and reasonable routing.
- Material: PP or PC+ABS.
- Moisture proof, waterproof, dust-proof, anti-aging.
- Protection level up to IP65.
- 1 oval optical cable entry, 2 branch optical cable entries and 16 pcs. of household.
- Installation method: pole-mounted, aerial-mounted, wall-mounted.

Specifications	
Material	PC+ABS/ABS
L*W*H (mm)	319*200*97
Max Splicing Capacity (core)	16
Max Input (mm)	2* Ø18
Max Output (mm)	2*3~5
Max Adapter (Pcs)	16
PLC Splitter (Pcs)	1*8 / 1*16
IP Code	IP65
Packing Information	G.W.:14Kg QTY:10 pcs MEAS.:450*360*630mm



Main Features

- Advanced structure design, easy operation and reasonable routing.
- Material: PP/PC+ABS/ABS.
- Moisture proof, waterproof, dust-proof, anti-aging.
- Protection level up to IP65.
- 6 cable entries, 32 pcs of household.
- Installation method: pole-mounted, aerial-mounted, wall-mounted.

Specifications	
Material	PP/PC+ABS/ABS
L*W*H (mm)	313 *195*120
Max Splicing Capacity (core)	72
Max Input (mm)	16
Max Output (mm)	2*3
Max Adapter (Pcs)	18
PLC Splitter (Pcs)	1*8 PLC:2 pcs/1*16 PLC:1 pcs
IP Code	IP65
Packing Information	G.W.:16Kg QTY:10 pcs MEAS.:450*345*685mm



Main Features

- Advanced structure design, easy operation and reasonable routing.
- Material: PP/PC+ABS/ABS.
- Moisture proof, waterproof, dust-proof, anti-aging.
- Protection level up to IP65.
- 8 cable entries.
- Installation method: pole-mounted, aerial-mounted, wall-mounted.

Specifications

Material	PP/PC+ABS/ABS
L*W*H (mm)	313 *195*120
Max Splicing Capacity (core)	72
Max Input (mm)	7~16
Max Output (mm)	7~16
Max Adapter (Pcs)	-
PLC Splitter (Pcs)	-
IP Code	IP65
Packing Information	G.W.:16Kg QTY:10 pcs MEAS.:450*345*560mm



Main Features

- Total enclosed structure.
- Material: PC+ABS.
- Wet-proof, water-proof, dust-proof, anti-aging.
- Protection level up to IP54.
- Cable, pigtails, patch cords are running through own path without disturbing each other.
- Distribution panel can be flipped up, feeder cable can be placed in a cup-joint way.
- Cabinet can be installed by the way of wall-mounted.

Specifications

Material	PC+ABS/ABS
L*W*H (mm)	235*126*51
Max Splicing Capacity (core)	16
Max Input (mm)	4*(Ø10)
Max Output (mm)	8*(Ø5)
Max Adapter (Pcs)	8
PLC Splitter (Pcs)	1/8*2
IP Code	IP54
Packing Information	G.W.:31Kg QTY:50 pcs MEAS.:720*265*615mm

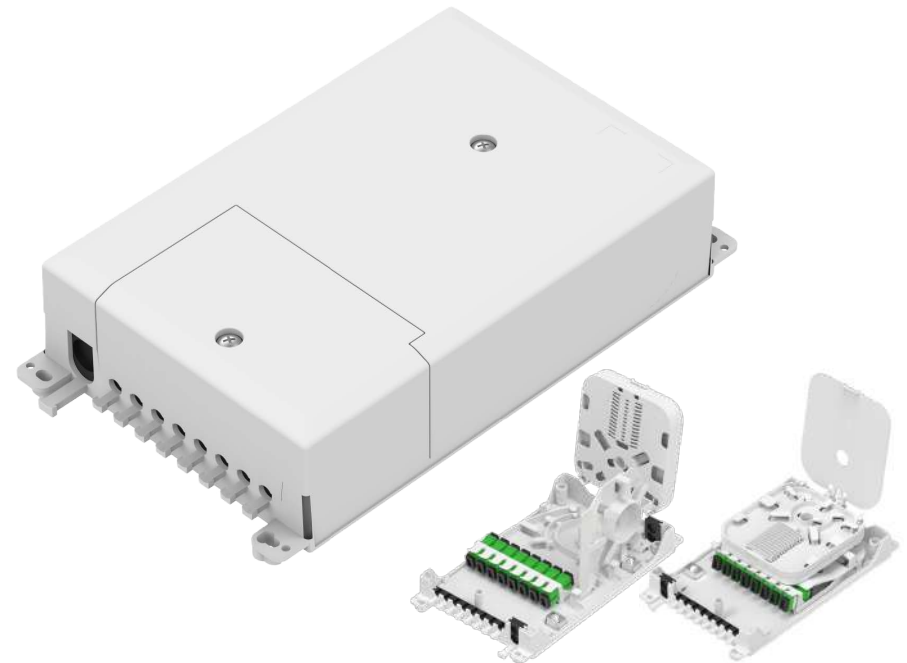


Main Features

- Total enclosed structure.
- Material: PC+ABS.
- Wet-proof, water-proof, dust-proof, anti-aging.
- Protection level up to IP54.
- Cable, pigtails, patch cords are running through own path without disturbing each other.
- Distribution panel can be flipped up, feeder cable can be placed in a cup-joint way.
- Cabinet can be installed by the way of wall-mounted.

Specifications

Material	PC+ABS/ABS
L*W*H (mm)	235*126*51
Max Splicing Capacity (core)	16
Max Input (mm)	4*(Ø10)
Max Output (mm)	8*(Ø5)
Max Adapter (Pcs)	8
PLC Splitter (Pcs)	1/8*2
IP Code	IP54
Packing Information	G.W.:31Kg QTY:50 pcs MEAS.:720*265*615mm

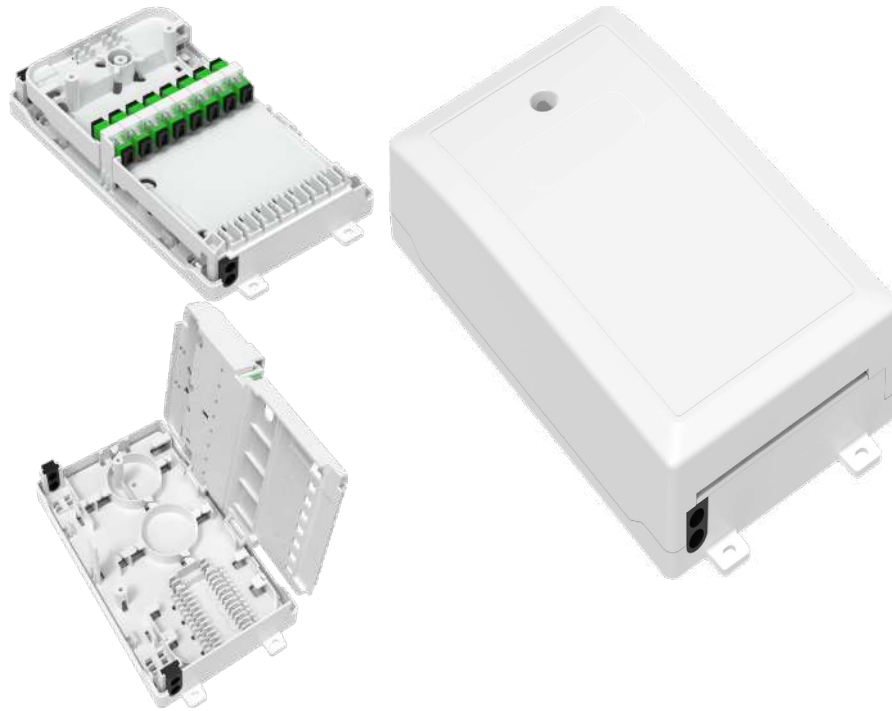


Main Features

- Anti-UV (Ultraviolet).
- Economic design with plastic adaptor panel.
- Uncut cable port for feeder cables.
- Cable, pigtails, and patch cords are running through their own paths without disturbing each other, easy maintenance.
- Box can be installed by the way of wall-mounted.

Specifications

Material	PC+ABS
L*W*H (mm)	222*126*50
Max Splicing Capacity (core)	24 (2 splice tray)
Cable Ports	2 Ports (For main cable) 8 Ports (For drop cable)
Max Adapter (Pcs)	8
PLC Splitter (Pcs)	1/8
IP Code	IP54
Packing Information	G.W.:31Kg QTY:50 pcs MEAS.:720*265*615mm



Main Features

- Beautiful and compact model, convenient installation.
- Nontoxic for all the material.
- Non-corrosive for metal component.
- While activating user operation, insert the field assembly connector into the adaptor.
- Suitable for wall-mounted installation.
- Neat fiber routing management.

Specifications	
Material	PC+ABS
L*W*H (mm)	230×130×58
Max Splicing Capacity (core)	24 (1 splice tray)
Cable Ports	2 Ports (For main cable) 8 Ports (For drop cable)
Max Adapter (Pcs)	8
PLC Splitter (Pcs)	1/8
IP Code	IP54
Packing Information	G.W.:31Kg QTY:50 pcs MEAS.:720*265*615mm



Main Features

- Total enclosed structure.
- Material: PC+ABS.
- Wet-proof, water-proof, dust-proof, anti-aging.
- Protection level up to IP54.
- Cable, pigtails, patch cords are running through own path without disturbing each other.
- Distribution panel can be flipped up, feeder cable can be placed in a cup-joint way.
- Cabinet can be installed by the way of wall-mounted.

Specifications	
Material	PC+ABS/ABS
L*W*H (mm)	152*106*59
Max Splicing Capacity (core)	12
Max Input (mm)	Ø12
Max Output (mm)	2*3-Ø5
Max Adapter (Pcs)	8
PLC Splitter (Pcs)	1/8
IP Code	IP54
Packing Information	G.W.:15Kg QTY:40 pcs MEAS.:465*340*360mm

Termination Box FAB-HGT-8ZTX



Main Features

- Mix fiber split, fusion, distribution and storage in a box.
- 2 inputs can use multi-fiber cable or uncut cable, 8 outputs for FTTH, convenient fast to operate.
- The fiber bending radius minimum is 20mm.
- The lid of the box have round edge sand closed by a screw, opening of the lid will not affect the movement of the other parts of the box.
- Unique design of separate covers for the adapter and cable entry/exit ports to makes it more safety, nice and humanity, both cover is removable.

Specifications	
Material	PC+ABS/ABS
L*W*H (mm)	170*130*40
Cable Ports	2in, 8out
Cable diameter(mm)	In:10, out: 2*3
Max. Fusion Capacity	4 fibers
Max. splitter	1x2,1x4 or 1x8
Max. Adapter	8 SC
IP Code	IP30
Working Environment	Indoor

Termination Box FAB-HGT-10A



Main Features

- Advanced structure design, small size and reasonable structure.
- Material: PC+ABS.
- Dust-proof, anti-aging.
- Protection level up to IP20.
- The interior is equipped with 1x2 FTB splitter, 1x8 PLC splitter.
- Installation method: wall-mounted.

Specifications	
Material	PC+ABS/ABS
L*W*H (mm)	124*84*55
Max Splicing Capacity (core)	12
Max Input (mm)	Ø11
Max Output (mm)	-
Max Adapter (Pcs)	10
PLC Splitter (Pcs)	1/2 or 1/8
IP Code	IP20
Packing Information	G.W.:17Kg QTY:40 pcs MEAS.:420*270*630mm



Main Features

- Advanced structure design, small size and reasonable structure.
- Material: PC+ABS.
- Dust-proof, anti-aging.
- Protection level up to IP54.
- The interior is equipped with 1x2 FTB splitter, 1x8 PLC splitter
- Installation method: wall-mounted.

Specifications	
Material	PC+ABS/ABS
L*W*H (mm)	189*127*77
Max Splicing Capacity (core)	12
Max Input (mm)	Ø11
Max Output (mm)	2*3
Max Adapter (Pcs)	10
PLC Splitter (Pcs)	1/2 or 1/8
IP Code	IP54
Packing Information	G.W.:15Kg QTY:40 pcs MEAS.:440*290*710mm



Main Features

- Total enclosed structure.
- Material: PC+ABS.
- Wet-proof, water-proof, dust-proof, anti-aging.
- Protection level up to IP54.
- Clamping for feeder cable and drop cable, fiber splicing, fixation, storage, distribution... etc, all in one.
- Distribution panel can be flipped up, feeder cable can be placed in a cup-joint way.
- Wall-mounted.

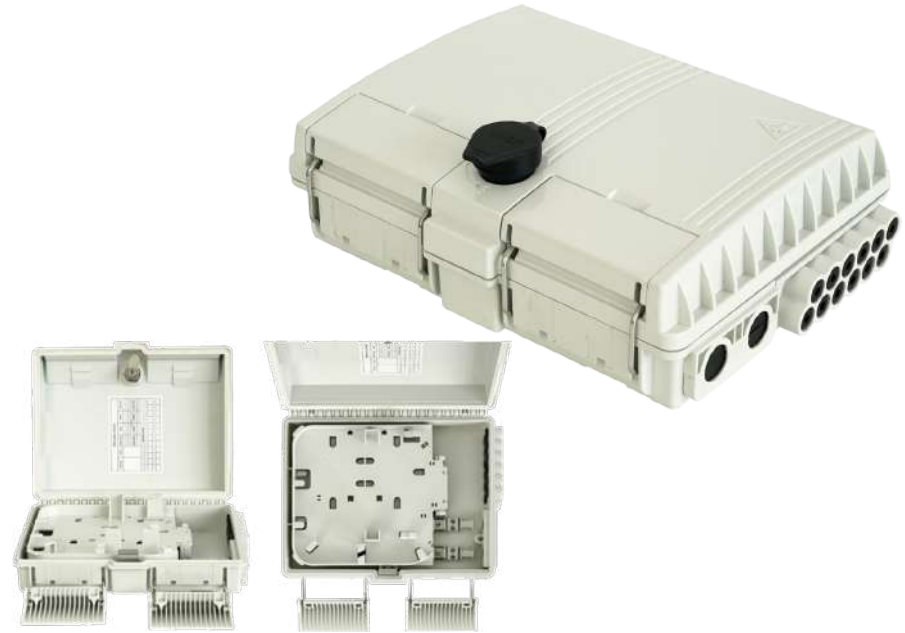
Specifications	
Material	PC+ABS/ABS
L*W*H (mm)	153*106*59
Max Splicing Capacity (core)	12
Max Input (mm)	Ø12
Max Output (mm)	2*3-Ø5
Max Adapter (Pcs)	10
PLC Splitter (Pcs)	-
IP Code	IP54
Packing Information	G.W.:18Kg QTY:50 pcs MEAS.:570*340*355mm



Main Features

- Advanced structure design, easy operation and reasonable routing.
- Material: PC+ABS.
- Moisture proof, wsterproof, dust-proof, anti-aging.
- Protection level up to IP65.
- 1 oval optical cable entry, 12 drop cable ports.
- Installation method: pole-mounted, wall-mounted.

Specifications	
Material	PC+ABS/ABS
L*W*H (mm)	233*214*66
Max Splicing Capacity (core)	40
Max Input (mm)	2*(16)
Max Output (mm)	12*(2*3)
Max Adapter (Pcs)	12
PLC Splitter (Pcs)	1*8
IP Code	IP65
Packing Information	G.W.:21.2Kg QTY:20 pcs MEAS.:500*480*510mm



Main Features

- Advanced structure design, easy operation and reasonable routing.
- Material: PC+ABS.
- Moisture proof, wsterproof, dust-proof, anti-aging.
- Protection level up to IP65.
- 1 oval optical cable entry, 12 drop cable ports.
- Installation method: pole-mounted, wall-mounted, aerial-mounted.

Specifications	
Material	PC+ABS/ABS
L*W*H (mm)	267*207*95
Max Splicing Capacity (core)	24
Max Input (mm)	Ø8~Ø18
Max Output (mm)	2*3~5
Max Adapter (Pcs)	12
PLC Splitter (Pcs)	1*8
IP Code	IP65
Packing Information	G.W.:13.5Kg QTY:10 pcs MEAS.:460*290*570mm



Main Features

- Advanced structure design, easy operation and reasonable routing.
- Material: PC+ABS.
- Moisture proof, wsterproof, dust-proof, anti-aging.
- Protection level up to IP65.
- 1 oval optical cable entry, 2 branch optical cable entries and 16 pcs of household.
- Installation method: pole-mounted, wall-mounted, aerial-mounted.

Specifications	
Material	PC+ABS/ABS
L*W*H (mm)	290*175*83
Max Splicing Capacity (core)	18
Max Input (mm)	15
Max Output (mm)	2*3~Ø5
Max Adapter (Pcs)	12
PLC Splitter (Pcs)	1*8
IP Code	IP65
Packing Information	G.W.:13Kg QTY:10 pcs MEAS.: 410*320*570mm



Main Features

- Advanced structure design, easy operation and reasonable routing.
- Material: PC+ABS.
- Moisture proof, wsterproof, dust-proof, anti-aging.
- Protection level up to IP65.
- 1 oval optical cable entry, 2 branch optical cable entries and 16 pcs of household.
- Installation method: pole-mounted, wall-mounted, aerial-mounted.

Specifications	
Material	PC+ABS/ABS
L*W*H (mm)	290*175*83
Max Splicing Capacity (core)	12
Max Input (mm)	15
Max Output (mm)	2*3~Ø5
Max Adapter (Pcs)	9
PLC Splitter (Pcs)	1*(1*8 plug-in splitter) or 1*(1*8 PLC)
IP Code	IP65
Packing Information	G.W.:13Kg QTY:10 pcs MEAS.: 410*320*570mm



Main Features

- Advanced structure design, easy operation and reasonable routing.
- Material: PC+ABS.
- Moisture proof, wsterproof, dust-proof, anti-aging.
- Protection level up to IP65.
- 1 oval optical cable entry, 2 branch optical cable entries and 16 pcs of household.
- Installation method: pole-mounted, wall-mounted, aerial-mounted.

Specifications	
Material	PC+ABS/ABS
L*W*H (mm)	290*175*83
Max Splicing Capacity (core)	72
Max Input (mm)	15
Max Output (mm)	2*3~Ø5
Max Adapter (Pcs)	12
PLC Splitter (Pcs)	1*16 or 1*8
IP Code	IP65
Packing Information	G.W.:13Kg QTY:10 pcs MEAS.: 410*320*570mm



Main Features

- Total enclosed structure.
- Material: PC+ABS.
- Wet-proof, water-proof, dust-proof, anti-aging.
- Protection level up to IP54.
- Cable, pigtails, patch cords are running through own path without disturbing each other.
- Distribution panel can be flipped up, feeder cable can be placed in a cup-joint way.
- Cabinet can be installed by the way of wall-mounted.

Specifications	
Material	PC+ABS/ABS
L*W*H (mm)	205*153*52
Max Splicing Capacity (core)	8
Max Input (mm)	2*3~Ø5
Max Output (mm)	2*3~Ø5
Max Adapter (Pcs)	12
PLC Splitter (Pcs)	1*4+1*8
IP Code	IP54
Packing Information	G.W.:11Kg QTY:20 pcs MEAS.:440*340*340mm

Termination Box FAB-HGT-12ZT



Main Features

- Total enclosed structure.
- Material: PC+ABS.
- Wet-proof, water-proof, dust-proof, anti-aging.
- Protection level up to IP54.
- Cable, pigtails, patch cords are running through own path without disturbing each other.
- Distribution panel can be flipped up, feeder cable can be placed in a cup-joint way.
- Wall-mounted or pole-mounted, suitable for both indoor or outdoor uses.

Specifications

Material	PC+ABS/ABS
L*W*H (mm)	205*153*68
Max Splicing Capacity (core)	20
Max Input (mm)	10
Max Output (mm)	2*3~Ø5
Max Adapter (Pcs)	12
PLC Splitter (Pcs)	1*4+1*8
IP Code	IP54
Packing Information	G.W.:11Kg QTY:20 pcs MEAS.:450*340*410mm





Main Features

- Water-proof design with IP65 protection level.
- Integrated with splice cassette and cable management system.
- Manage small & large quantities of fiber with a density.
- Easy to maintain and extend the capacity.
- Fiber bend radius control more than 40mm.
- Suitable for the fusion splice or mechanical splice.
- Capacity of fiber up to 16 ports.

Specifications

Material	PC+ABS/ABS
L*W*H (mm)	300*245*100
Max Splicing Capacity (core)	24
Max Input (mm)	2 * (Ø12)
Max Output (mm)	16 * (2*3~5)
Max Adapter (Pcs)	16
PLC Splitter (Pcs)	1/8*2 or 1/16*1
IP Code	IP65
Weight	1.565kg



Main Features

- Water-proof design with IP65 protection level.
- Integrated with splice cassette and cable management system.
- Manage small & large quantities of fiber with a density.
- Easy to maintain and extend the capacity.
- Fiber bend radius control more than 40mm.
- Suitable for the fusion splice or mechanical splice.
- Capacity of fiber up to 16 ports.

Specifications

Material	PC+ABS/ABS
L*W*H (mm)	300*245*100
Max Splicing Capacity (core)	24
Max Input (mm)	2 * (Ø12)
Max Output (mm)	16 * (2*3~5)
Max Adapter (Pcs)	16
PLC Splitter (Pcs)	1/8*2 LGX or 1/16*1 LGX
IP Code	IP65
Weight	1.565kg



Main Features

- Advanced structure design, easy operation and reasonable routing.
- Material: PP or PC+ABS.
- Moisture proof, wsterproof, dust-proof, anti-aging.
- Protection level up to IP65.
- 3 cable entries.
- Installation method: pole-mounted, wall-mounted, aerial-mounted.

Specifications	
Material	PP+GF/PC+ABS/ABS
L*W*H (mm)	281*177*102
Max Splicing Capacity (core)	36
Max Input (mm)	3*(Ø10~16)
Max Output (mm)	16*(2*3~5)
Max Adapter (Pcs)	18
PLC Splitter (Pcs)	1/8*2 or 1/16*1
IP Code	IP65
Packing Information	G.W.:12Kg QTY:10 pcs MEAS.: 400*310*665mm



Main Features

- Total enclosed structure, be in nice shaped.
- Material is PC+ABS, wet-proof, water-proof, dust-proof, anti-aging.
- Protection level up to IP65.
- The two-layer structure design, optical splitter is in the upper and fiber splicing is in the lower.
- The optical module uses drawer modular design, be in strong interchangeability and versatility.
- Cabinet can be installed by the way of wall-mounted or pole-mounted.

Specifications	
Material	PC+ABS/ABS
L*W*H (mm)	360*181*90
Max Splicing Capacity (core)	48
Max Input (mm)	Ø7-Ø14
Max Output (mm)	2*3
Max Adapter (Pcs)	-
PLC Splitter (Pcs)	2*(1*8) or 1*(1*16) plug-in splitter
IP Code	IP65
Packing Information	G.W.:17.5Kg QTY:8 pcs MEAS.: 650*360*600mm

Termination Box FAB-HGT-16B-1



Main Features

- Total enclosed structure, be in nice shaped.
- Material is PC+ABS, wet-proof, water-proof, dust-proof, anti-aging.
- Protection level up to IP65.
- The two-layer structure design, optical splitter is in the upper and fiber splicing is in the lower.
- The optical module uses drawer modular design, be in strong interchangeability and versatility.
- Cabinet can be installed by the way of wall-mounted or pole-mounted.

Specifications

Material	PC+ABS/ABS
L*W*H (mm)	294*254*106
Max Splicing Capacity (core)	12
Max Input (mm)	Ø7-Ø14
Max Output (mm)	2*3
Max Adapter (Pcs)	-
PLC Splitter (Pcs)	2*(1*8) or 1*(1*16) plug-in splitter
IP Code	IP65
Packing Information	G.W.:15.5Kg QTY:10 pcs MEAS.: 550*335*670mm

Termination Box FAB-HGT-16C



Main Features

- Total enclosed structure.
- Material: PC+ABS.
- Wet-proof, water-proof, dust-proof, anti-aging.
- Protection level up to IP65.
- Cable, pigtails, patch cords are running through own path without disturbing each other.
- Distribution panel can be flipped up, feeder cable can be placed by expression port.
- Wall-mounted or poled-mounted, suitable for both indoor and outdoor uses.

Specifications

Material	PC+ABS/ABS
L*W*H (mm)	330*275*101
Max Splicing Capacity (core)	48
Max Input (mm)	Ø15
Max Output (mm)	2*3
Max Adapter (Pcs)	-
PLC Splitter (Pcs)	2*(1*8) or 1*(1*16) plug-in splitter
IP Code	IP65
Packing Information	G.W.:18Kg QTY:10Pcs MEAS.: 600*360*630mm



Main Features

- Advanced structure design, easy operation and reasonable routing.
- Material: PC+ABS..
- Moisture proof, wsterproof, dust-proof, anti-aging.
- Protection level up to IP65.
- 1 oval optical cable entry, 16 pcs of household.
- Installation method: pole-mounted, wall-mounted, aerial-mounted.

Main Features

- Advanced structure design, easy operation and reasonable routing.
- Material: PC+ABS.
- Moisture proof, wsterproof, dust-proof, anti-aging.
- Protection level up to IP65.
- 1 oval optical cable entry meet the straight-through function without cutting the fiber
- Installation method: pole-mounted, wall-mounted, aerial-mounted.

Specifications	
Material	PC+ABS/ABS
L*W*H (mm)	306*253*92
Max Splicing Capacity (core)	26
Max Input (mm)	2*(Ø15)
Max Output (mm)	2*3~Ø5
Max Adapter (Pcs)	16
PLC Splitter (Pcs)	1*16 or 1*8*2
IP Code	IP65
Packing Information	G.W.:14.1Kg QTY:10 pcs MEAS.: 560*350*570mm

Specifications	
Material	PC+ABS/PP
L*W*H (mm)	260*214*81
Max Splicing Capacity (core)	24
Max Input (mm)	18
Max Output (mm)	2*3
Max Adapter (Pcs)	16
PLC Splitter (Pcs)	2*(1*8) or 1*(1*16)
IP Code	IP65
Packing Information	G.W.:13Kg QTY:10 pcs MEAS.: 460*290*570mm



Main Features

- Advanced structure design, easy operation and reasonable routing.
- Material: PP+GF.
- Moisture proof, wsterproof, dust-proof, anti-aging.
- Protection level up to IP68.
- 1 oval optical cable entry, 2 branch optical cable entries and 16 pcs of household.
- Installation method: pole-mounted, wall-mounted, aerial-mounted.

Main Features

- Advanced structure design, easy operation and reasonable routing.
- Material: PP+GF.
- Moisture proof, wsterproof, dust-proof, anti-aging.
- Protection level up to IP68.
- 1 oval optical cable entry, 2 branch optical cable entries and 16 pcs of household.
- Installation method: pole-mounted, wall-mounted, aerial-mounted. Suitable for both indoor and outdoor uses.

Specifications	
Material	PP+GF
L*W*H (mm)	389*242*128
Max Splicing Capacity (core)	96
Max Input (mm)	Ø8~18
Max Output (mm)	2*3~7
Max Adapter (Pcs)	16
PLC Splitter (Pcs)	8*(1x8) or 4*(1x16)
IP Code	IP68
Packing Information	G.W.:23Kg QTY:6 pcs MEAS.: 530*425*470mm

Specifications	
Material	PP+GF
L*W*H (mm)	388*242*128
Max Splicing Capacity (core)	16
Max Input (mm)	Ø8~18
Max Output (mm)	2*3~7
Max Adapter (Pcs)	16
PLC Splitter (Pcs)	8*(1x8) or 4*(1x16)
IP Code	IP68
Packing Information	G.W.:23Kg QTY:6 pcs MEAS.: 530*425*470mm



Main Features

- Advanced structure design, easy operation and reasonable routing.
- Material: PP+GF.
- Moisture proof, wsterproof, dust-proof, anti-aging.
- Protection level up to IP68.
- 1 oval optical cable entry, 2 branch optical cable entries and 16 pcs of household.
- Installation method: pole-mounted, wall-mounted, aerial-mounted.

Specifications	
Material	PP+GF
L*W*H (mm)	388*242*128
Max Splicing Capacity (core)	16
Max Input (mm)	Ø8~18
Max Output (mm)	2*3~Ø7
Max Adapter (Pcs)	-
PLC Splitter (Pcs)	2*(1*8) or 1*(1*16)
IP Code	IP68
Packing Information	G.W.:23Kg QTY:6Pcs MEAS.: 530*425*470mm



Main Features

- Advanced structure design, easy operation and reasonable routing.
- Material: PP+GF.
- Moisture proof, wsterproof, dust-proof, anti-aging.
- Protection level up to IP68.
- 1 oval optical cable entry, 6 branch optical cable entries.
- Installation method: pole-mounted, wall-mounted, aerial-mounted.

Specifications	
Material	PP+GF
L*W*H (mm)	388*242*128
Max Splicing Capacity (core)	120
Max Input (mm)	Ø8~18
Max Output (mm)	2*3~Ø7
Max Adapter (Pcs)	-
PLC Splitter (Pcs)	1*8 or 1*16
IP Code	IP68
Packing Information	G.W.:23Kg QTY:6Pcs MEAS.: 530*425*470mm



Main Features

- Advanced structure design, easy operation and reasonable routing.
- Material: PP+GF.
- Moisture proof, wsterproof, dust-proof, anti-aging.
- Protection level up to IP68.
- 1 oval optical cable entry, 6 branch optical cable entries.
- Installation method: pole-mounted, wall-mounted, aerial-mounted.

Main Features

- Advanced structure design, easy operation and reasonable routing.
- Material: PP+GF.
- Moisture proof, wsterproof, dust-proof, anti-aging.
- Protection level up to IP68.
- 1 oval optical cable entry, 6 branch optical cable entries.
- Installation method: pole-mounted, wall-mounted, aerial-mounted.

Specifications	
Material	PP+GF
L*W*H (mm)	388*242*128
Max Splicing Capacity (core)	192
Max Input (mm)	Ø8~18
Max Output (mm)	2*3~Ø7
Max Adapter (Pcs)	-
PLC Splitter (Pcs)	1*8 or 1*16
IP Code	IP68
Packing Information	G.W.:23Kg QTY:6 pcs MEAS.: 530*425*470mm

Specifications	
Material	PP+GF
L*W*H (mm)	388*242*128
Max Splicing Capacity (core)	384
Max Input (mm)	Ø8~18
Max Output (mm)	2*3~Ø7
Max Adapter (Pcs)	-
PLC Splitter (Pcs)	1*8 or 1*16
IP Code	IP68
Packing Information	G.W.:23Kg QTY:6 pcs MEAS.: 530*425*470mm



Main Features

- Dismountable adaptor panel.
- Support midspan termination.
- Easy operation and installation.
- Rotatable and dismountable splice tray for easy splicing.

Main Features

- Dismountable adaptor panel.
- Support midspan termination.
- Easy operation and installation.
- Rotatable and dismountable splice tray for easy splicing.

Specifications	
Material	Modified polymer plastic
L*W*H (mm)	410*240*130
Max Splicing Capacity (core)	48 fibers (4 trays, 12 fibers/tray)
Cable Ports	1 oval uncut port (10~17.5mm) 2 round port (8~17.5mm)
Applicable Cable Diameter	2*3mm FTTH drop cable, or 7mm round cable
Max Adapter (Pcs)	16
Sealing	IP68
Impact Test	IK10
Packing Information	MEAS.: 540*410*375mm (4 pcs per carton)

Specifications	
Material	PP+Glass Fiber
L*W*H (mm)	380*243*130
Max Splicing Capacity (core)	48 fibers (4 trays, 12 fibers/tray)
Cable Ports	1 oval uncut port (10~17.5mm) 2 round port (8~17.5mm)
Applicable Cable Diameter	2*3mm FTTH drop cable, or 7mm round cable
Max Adapter (Pcs)	16
Sealing	IP68
Impact Test	IK10
Packing Information	MEAS.: 515*425*340mm (4 pcs per carton)



Main Features

- Advanced structure design, easy operation and reasonable routing.
- Material: PP+GF.
- Moisture proof, wsterproof, dust-proof, anti-aging.
- Protection level up to IP65.
- There are many kinds of cable inlets.
- Installation method: pole-mounted, aerial-mounted, wall-mounted.

Main Features

- Advanced structure design, easy operation and reasonable routing.
- Material: PP+GF.
- Moisture proof, wsterproof, dust-proof, anti-aging.
- Protection level up to IP65.
- There are many kinds of cable inlets.
- Installation method: pole-mounted, aerial-mounted, wall-mounted.

Specifications	
Material	PP+GF
L*W*H (mm)	321*230*104
Max Splicing Capacity (core)	16
Max Input (mm)	Ø8~Ø12
Max Output (mm)	2*3~Ø5
Max Adapter (Pcs)	16
PLC Splitter (Pcs)	1/8*2
IP Code	IP65
Packing Information	G.W.:25Kg QTY:10 pcs MEAS.: 510*360*750mm

Specifications	
Material	PP+GF
L*W*H (mm)	321*230*104
Max Splicing Capacity (core)	24
Max Input (mm)	Ø8~Ø12
Max Output (mm)	2*3~Ø5
Max Adapter (Pcs)	16
PLC Splitter (Pcs)	1/8*2
IP Code	IP65
Packing Information	G.W.:25Kg QTY:10 pcs MEAS.: 510*360*750mm



Main Features

- Advanced structure design, easy operation and reasonable routing.
- Material: PP+GF.
- Moisture proof, wsterproof, dust-proof, anti-aging.
- Protection level up to IP65.
- There are many kinds of cable inlets.
- Installation method: pole-mounted, aerial-mounted, wall-mounted.

Specifications	
Material	PP+GF
L*W*H (mm)	321*230*104
Max Splicing Capacity (core)	32
Max Input (mm)	Ø8~Ø12
Max Output (mm)	2*3~Ø5
Max Adapter (Pcs)	-
PLC Splitter (Pcs)	2*(1*8) or 1*(1*16) plug-in splitter
IP Code	IP65
Packing Information	G.W.:25Kg QTY:10 pcs MEAS.: 510*360*750mm



Main Features

- Advanced structure design, easy operation and reasonable routing.
- Material: PC+ABS.
- Moisture proof, wsterproof, dust-proof, anti-aging.
- Protection level up to IP65.
- Cable, pigtails, patch cords are running through own path without disturbing each other.
- Installation method: pole-mounted, aerial-mounted, wall-mounted.

Specifications	
Material	PC+ABS/ABS
L*W*H (mm)	294*251*85
Max Splicing Capacity (core)	16
Max Input (mm)	10
Max Output (mm)	2*3~Ø5
Max Adapter (Pcs)	16
PLC Splitter (Pcs)	2*(1*8) or 2*(1*16)
IP Code	IP65
Packing Information	G.W.:16Kg QTY:10 pcs MEAS.: 560*340*600mm

Termination Box FAB-HGT-16IN



FAB-HGT-16IN-A

FAB-HGT-16IN-S

FAB-HGT-16IN-L

Main Features

- Water-proof design with IP65 protection level.
- Integrated with capability of micro and cassette type of splitters and cable management system.
- Manage fibers in a reasonable fiber radius condition.
- Fiber bend radius control more than 40mm.
- Suitable for the fusion splice or mechanical splice.
- Capacity of drop fiber up to 16 ports.
- 1x8, 1x16 PLC splitter and accessories can be pre-installed as required.

Specifications

Material	PP + GF
L*W*H (mm)	290*185*108
Weight	1.5kg
Applicable Environment	Indoor and outdoor
Installation Type	Wall mount, Hang-on-Cable or Pole mount (optional*)
Inlet Ports	Port 1: 6 ~ 9mm
	Port 2: 9 ~ 12mm
	Port 3: 12 ~ 15mm
	6 ports in total (3 ports on each side of the box)
Outlet Ports	16 ports in total

Termination Box FAB-HGT-16J



Main Features

- Advanced structure design, easy operation and reasonable routing.
- Material: PP.
- Moisture proof, wsterproof, dust-proof, anti-aging.
- Protection level up to IP65.
- 6 cable entry.
- Installation method: pole-mounted, aerial-mounted, wall-mounted.

Specifications

Material	PC+ABS / PP
L*W*H (mm)	383*205*105
Max Splicing Capacity (core)	192
Into the largest cable diameter (mm)	Ø12
Cable outlet size(mm)	Ø12
Number of optical cable holes	6 cable entry
IP Code	IP65
Packing Information	G.W.:27Kg QTY:10 pcs MEAS.: 440*410*605mm



Main Features

- Advanced structure design, easy operation and reasonable routing.
- Material: PP.
- Moisture proof, waterproof, dust-proof, anti-aging.
- Protection level up to IP65.
- 6 cable entry.
- Installation method: pole-mounted, aerial-mounted, wall-mounted.

Specifications	
Material	PC+ABS / PP
L*W*H (mm)	383*205*105
Max Splicing Capacity (core)	48
Into the largest cable diameter (mm)	Ø12
Plug in optical splitter	2pcs. 1x2; 1x4; 1x8; 1x16
Cable outlet size(mm)	2*3~Ø7
Number of optical cable holes	6 cable entry
IP Code	IP65
Packing Information	G.W.:27Kg QTY:10 pcs MEAS.: 440*410*605mm



Main Features

- Water-proof design with IP65 Protection grade.
- Integrated with splice cassette and cable management system.
- Manage fibers in a reasonable fiber radius condition.
- Fiber bend radius control more than 35mm.
- 1 uncut cable port for feeder cables.
- Fixed hermetic seals in all its grooves.
- The entire fiber route protected by transport tube.
- Complete opening of the hinges with stop included.
- Protected and organized pigtail space.
- Support customized services such as logo screen printing.

Specifications	
Material	PC+ABS/ABS
L*W*H (mm)	304×185×115
Color	Black/White/Gray(Customizable)
Splice Capacity	36 Cores
Splitter Capacity	2 Sets
Splitter Type	SC, Mini Type, 1:2 / 1:4 / 1:8
Adaptor Capacity	18pcs
Incoming Cable Port	2x(Ø10~14mm), 1x Mid-span Ø10~14mm
Installation Method	Wall, Pole Mounted



Main Features

- Total enclosed structure.
- Material: PC+ABS.
- Wet-proof, water-proof, dust-proof, anti-aging.
- Protection level up to IP65.
- Cable, pigtails, patch cords are running through own path without disturbing each other.
- Wall-mounted or poled-mounted, suitable for both indoor and outdoor uses.

Specifications

Material	PC+ABS/ABS
L*W*H (mm)	303*251*85
Max Splicing Capacity (core)	52
Max Input (mm)	10
Max Output (mm)	2*3~Ø5
Max Adapter (Pcs)	-
PLC Splitter (Pcs)	2*(1*8) or 1*(1*16)
IP Code	IP65
Packing Information	G.W.:17.5Kg QTY:8 pcs MEAS.: 650*360*600mm



Main Features

- The box casing is made of industrial plastic PC+ABS material. Outdoor application and good UV resistant.
- Maximum 96F splicing capacity, stainless anti-rust bolts and nuts. Easy for maintenance and expansion.
- Fiber bend radius control more than 35mm.
- 180-degree access with 2pcs of buckled lock structure.
- Designated position for the placement of 2pcs of 1:8 splitter. Protection level: IP65.
- 1 mid- span cable entrance(10-16.5mm) for uncut cable and 2 reserved cable entrances for distribution cable gland(8-13.5mm).

Specifications

Material	PC+ABS/ABS
L*W*H (mm)	290*210*82
PLC	1pc 1x16 steel tube or 1pc 1x16LGX PLC Splitter
Adapter	16pcs SC/UPC SC/APC Adapters
Inlet cable size	12-15mm
Inlet	1 uncut cable port and 2 cable glands
Outlet	16 for outlet



Main Features

- Advanced structure design, easy operation and reasonable routing.
- Material: PC+ABS.
- Moisture proof, waterproof, dust-proof, anti-aging.
- Protection level up to IP65.
- Cable, pigtails, patch cords are running through own path without disturbing each other
- Installation method: pole-mounted, aerial-mounted, wall-mounted.

Main Features

- Advanced structure design, easy operation and reasonable routing.
- Material: PC+ABS.
- Moisture proof, waterproof, dust-proof, anti-aging.
- Protection level up to IP65.
- 1 oval optical entry, 16 pcs of household.
- Installation method: pole-mounted, aerial-mounted, wall-mounted.

Specifications	
Material	PC+ABS/ABS
L*W*H (mm)	344*210*89
Max Splicing Capacity (core)	72
Into the largest cable diameter (mm)	15
Plug in optical splitter	-
Cable outlet size(mm)	16
Number of optical cable holes	6*(1*8)
IP Code	IP65
Packing Information	G.W.:20.3Kg QTY:10 pcs MEAS.: 490*375*545mm

Specifications	
Material	PC+ABS/ABS
L*W*H (mm)	344*210*89
Max Splicing Capacity (core)	36
Into the largest cable diameter (mm)	15
Plug in optical splitter	2*3
Cable outlet size(mm)	16
Number of optical cable holes	3*(1*8)
IP Code	IP65
Packing Information	G.W.:18.3Kg QTY:10 pcs MEAS.: 490*375*545mm

Termination Box FAB-HGT-16P



Main Features

- Advanced structure design, easy operation and reasonable routing.
- Material: PC+ABS.
- Moisture proof, waterproof, dust-proof, anti-aging.
- Protection level up to IP65.
- 1 oval optical entry, 2 branch optical cable entries and 16 pcs of household.
- Installation method: pole-mounted, aerial-mounted, wall-mounted.

Specifications	
Material	PC+ABS/ABS
L*W*H (mm)	290*175*83
Max Splicing Capacity (core)	16
Into the largest cable diameter (mm)	15
Plug in optical splitter	2*3~5
Cable outlet size(mm)	-
Number of optical cable holes	2*(1*8) or 1*(1*16)
IP Code	IP65
Packing Information	G.W.:13Kg QTY:10 pcs MEAS.: 410*320*570mm

Termination Box FAB-HGT-16PM/24PM



Main Features

- The cable entry uses cable gland to provide protection at the bottom.
- 16/24 cores fiber termination capacity
- Support wall, pole mount.
- Protection Grade: IP65
- All the metallic components, parts and accessories are protected against corrosion and various forms of localized corrosion.

Specifications	
Material	PC+ABS
L*W*H (mm)	306*237*116
Color	Black /Gray
Splice Capacity	24 Cores
Minimum fiber bending	> 30mm
Adapter Type	SC
Adaptor Capacity	16/24 pcs
Installation Method	Wall / Pole-mounted
IP	IP65



Main Features

- Advanced structure design, easy operation and reasonable routing.
- Material: PP.
- Moisture proof, waterproof, dust-proof, anti-aging.
- Protection level up to IP68.
- 1 oval optical cable entry, 2 branch optical cable entries and 16 pcs of household.
- Installation method: pole-mounted, aerial-mounted, wall-mounted.

Main Features

- Advanced structure design, easy operation and reasonable routing.
- Material: PP.
- Moisture proof, waterproof, dust-proof, anti-aging.
- Protection level up to IP68.
- 1 oval optical cable entry, 2 branch optical cable entries and 16 pcs of household.
- Installation method: pole-mounted, aerial-mounted, wall-mounted.

Specifications	
Material	PP+GF
L*W*H (mm)	378*255*116
Max Splicing Capacity (core)	136
Max Input (mm)	Ø18
Max Output (mm)	2*3~Ø7
Max Adapter (Pcs)	16
PLC Splitter (Pcs)	1*8 or 1*16
IP Code	IP68
Packing Information	G.W.:25Kg QTY:8 pcs MEAS.: 540*405*540mm

Specifications	
Material	PP+GF
L*W*H (mm)	378*255*116
Max Splicing Capacity (core)	16
Max Input (mm)	Ø18
Max Output (mm)	2*3~Ø7
Max Adapter (Pcs)	16
PLC Splitter (Pcs)	2*(1*8)
IP Code	IP68
Packing Information	G.W.:25Kg QTY:8 pcs MEAS.: 540*405*540mm



Main Features

- Advanced structure design, easy operation and reasonable routing.
- Material: PP.
- Moisture proof, waterproof, dust-proof, anti-aging.
- Protection level up to IP68.
- 1 oval optical cable entry, 2 branch optical cable entries and 16 pcs of household.
- Installation method: pole-mounted, aerial-mounted, wall-mounted.

Main Features

- Advanced structure design, easy operation and reasonable routing.
- Material: PP.
- Moisture proof, waterproof, dust-proof, anti-aging.
- Protection level up to IP68.
- 1 oval optical cable entry, 2 branch optical cable entries and 16 pcs of household.
- Installation method: pole-mounted, aerial-mounted, wall-mounted.

Specifications	
Material	PP+GF
L*W*H (mm)	378*255*116
Max Splicing Capacity (core)	16
Max Input (mm)	Ø18
Max Output (mm)	2*3~Ø7
Max Adapter (Pcs)	-
PLC Splitter (Pcs)	2*(1*8) or 1*(1*16)
IP Code	IP68
Packing Information	G.W.:25Kg QTY:8 pcs MEAS.: 540*405*540mm

Specifications	
Material	PP+GF
L*W*H (mm)	378*255*116
Max Splicing Capacity (core)	200
Max Input (mm)	Ø18
Max Output (mm)	2*3~Ø7
Max Adapter (Pcs)	-
PLC Splitter (Pcs)	1*8 or 1*16
IP Code	IP68
Packing Information	G.W.:25Kg QTY:8 pcs MEAS.: 540*405*540mm



Main Features

- Advanced structure design, easy operation and reasonable routing.
- Material: PP.
- Moisture proof, waterproof, dust-proof, anti-aging.
- Protection level up to IP68.
- 1 oval optical cable entry, 2 branch optical cable entries and 16 pcs of household.
- Installation method: pole-mounted, aerial-mounted, wall-mounted.

Main Features

- Advanced structure design, easy operation and reasonable routing.
- Material: PP or PC+ABS.
- Moisture proof, waterproof, dust-proof, anti-aging.
- Protection level up to IP65.
- 8 cable entries, 16 pcs of household.
- Installation method: aerial-mounted.

Specifications	
Material	PP+GF
L*W*H (mm)	378*255*116
Max Splicing Capacity (core)	200
Max Input (mm)	Ø18
Max Output (mm)	2*3~Ø7
Max Adapter (Pcs)	-
PLC Splitter (Pcs)	1*8 or 1*16
IP Code	IP68
Packing Information	G.W.:25Kg QTY:8 pcs MEAS.: 540*405*540mm

Specifications	
Material	PC+ABS/ABS
L*W*H (mm)	347*205*122
Max Splicing Capacity (core)	25
Max Input (mm)	2*3
Max Output (mm)	2*3
Max Adapter (Pcs)	16
PLC Splitter (Pcs)	1*8
IP Code	IP65
Packing Information	G.W.:23Kg QTY:10 pcs MEAS.: 450*390*690mm



Main Features

- Advanced structure design, easy operation and reasonable routing.
- Material: PC+ABS.
- Moisture proof, waterproof, dust-proof, anti-aging.
- Protection level up to IP65.
- 8 cable entries, 16 pcs of household.
- Installation method: aerial-mounted.

Specifications

Material	PC+ABS/ABS
L*W*H (mm)	347*205*122
Max Splicing Capacity (core)	33
Max Input (mm)	12
Max Output (mm)	2*3
Max Adapter (Pcs)	-
PLC Splitter (Pcs)	1*8 (without connector): 1 pcs
IP Code	IP65
Packing Information	G.W.:23Kg QTY:10 pcs MEAS.: 450*390*690mm



Main Features

- Advanced structure design, easy operation and reasonable routing.
- Material: PC+ABS.
- Moisture proof, waterproof, dust-proof, anti-aging.
- Protection level up to IP65.
- 3 cable entries, 16 drop cable ports.
- Installation method: pole-mounted, aerial-mounted.

Specifications

Material	PC+ABS/ABS
L*W*H (mm)	326*259*106
Max Splicing Capacity (core)	40
Max Input (mm)	15
Max Output (mm)	2*3~7
Max Adapter (Pcs)	16
PLC Splitter (Pcs)	2*(1*8) or 1*(1*16)
IP Code	IP65
Packing Information	G.W.:26Kg QTY:10 pcs MEAS.: 570*360*560mm



Main Features

- Advanced structure design, easy operation and reasonable routing.
- Material: PC+ABS.
- Moisture proof, waterproof, dust-proof, anti-aging.
- Protection level up to IP65.
- 3 cable entries, 16 drop cable ports.
- Installation method: pole-mounted, wall-mounted.

Main Features

- Advanced structure design, easy operation and reasonable routing.
- Material: PC+ABS.
- Moisture proof, waterproof, dust-proof, anti-aging.
- Protection level up to IP65.
- 1 oval optical cable entry, 2 branch optical cable entries and 16 pcs of household.
- Installation method: pole-mounted, wall-mounted, aerial-mounted.

Specifications	
Material	PC+ABS/ABS
L*W*H (mm)	326*259*106
Max Splicing Capacity (core)	40
Max Input (mm)	15
Max Output (mm)	Ø8~Ø15.5
Max Adapter (Pcs)	-
PLC Splitter (Pcs)	2*(1*8) or 1*(1*16)
IP Code	IP65
Packing Information	G.W.:26Kg QTY:10 pcs MEAS.: 570*360*560mm

Specifications	
Material	PC+ABS
L*W*H (mm)	291*175*83
Max Splicing Capacity (core)	16
Max Input (mm)	15
Max Output (mm)	2*3~5
Max Adapter (Pcs)	16
PLC Splitter (Pcs)	2*(1*8)
IP Code	IP65
Packing Information	G.W.:12Kg QTY:10 pcs MEAS.: 410*320*570mm



Main Features

- Advanced structure design, easy operation and reasonable routing.
- Material: PC+ABS.
- Moisture proof, waterproof, dust-proof, anti-aging.
- Protection level up to IP65.
- 1 oval optical cable entry, 2 branch optical cable entries and 16 pcs of household.
- Installation method: pole-mounted, wall-mounted, aerial-mounted.

Main Features

- Advanced structure design, easy operation and reasonable routing.
- Material: PC+ABS.
- Moisture proof, waterproof, dust-proof, anti-aging.
- Protection level up to IP65.
- 1 oval optical cable entry, 2 branch optical cable entries and 16 pcs of household.
- Installation method: pole-mounted, wall-mounted, aerial-mounted.

Specifications	
Material	PC+ABS
L*W*H (mm)	290*175*93
Max Splicing Capacity (core)	16
Max Input (mm)	15
Max Output (mm)	2*3
Max Adapter (Pcs)	16
PLC Splitter (Pcs)	2*(1*8)
IP Code	IP65
Packing Information	G.W.:12Kg QTY:10 pcs MEAS.: 410*320*570mm

Specifications	
Material	PC+ABS
L*W*H (mm)	290*175*93
Max Splicing Capacity (core)	16
Max Input (mm)	15
Max Output (mm)	2*3~5
Max Adapter (Pcs)	-
PLC Splitter (Pcs)	2*(1*8) or 1*(1*16)
IP Code	IP65
Packing Information	G.W.:12Kg QTY:10 pcs MEAS.: 410*320*570mm



Main Features

- Advanced structure design, easy operation and reasonable routing.
- Material: PC+ABS.
- Moisture proof, waterproof, dust-proof, anti-aging.
- Protection level up to IP65.
- Port method 1: 1 oval optical cable entry, 2 branch optical cable entries and 16 pcs of household.
- Port method 2: 1 oval optical cable entry, 4 PG16 waterproof joints.
- Installation method: pole-mounted, wall-mounted, aerial-mounted.

Main Features

- Advanced structure design, easy operation and reasonable routing.
- Material: PC+ABS.
- Moisture proof, waterproof, dust-proof, anti-aging.
- Protection level up to IP65.
- Port method 1: 1 oval optical cable entry, 2 branch optical cable entries and 16 pcs of household.
- Port method 2: 1 oval optical cable entry, 4 PG16 waterproof joints.
- Installation method: pole-mounted, wall-mounted, aerial-mounted.

Specifications	
Material	PC+ABS/ABS
L*W*H (mm)	291*175*83
Max Splicing Capacity (core)	152
Max Input (mm)	15
Max Output (mm)	14
Max Adapter (Pcs)	-
PLC Splitter (Pcs)	-
IP Code	IP65
Packing Information	G.W.:12Kg QTY:10 pcs MEAS.: 410*320*570mm

Specifications	
Material	PC+ABS/ABS
L*W*H (mm)	291*175*83
Max Splicing Capacity (core)	152
Max Input (mm)	15
Max Output (mm)	14
Max Adapter (Pcs)	-
PLC Splitter (Pcs)	-
IP Code	IP65
Packing Information	G.W.:12Kg QTY:10 pcs MEAS.: 410*320*570mm



Main Features

- Total enclosed structure.
- Material: PC+ABS.
- Wet-proof, water-proof, dust-proof, anti-aging.
- Protection level up to IP65.
- Cable, pigtails, patch cords are running through own path without disturbing each other.
- Wall-mounted or poled-mounted, suitable for both indoor and outdoor uses.

Main Features

- Total enclosed structure.
- Material: PC+ABS.
- Wet-proof, water-proof, dust-proof, anti-aging.
- Protection level up to IP65.
- Cable, pigtails, patch cords are running through own path without disturbing each other.
- Wall-mounted or poled-mounted, suitable for both indoor and outdoor uses.

Specifications	
Material	PC+ABS/ABS
L*W*H (mm)	393*198*98
Max Splicing Capacity (core)	18
Max Input (mm)	Ø7~15
Max Output (mm)	2*3~Ø5
Max Adapter (Pcs)	16
PLC Splitter (Pcs)	1/8*2 or 1/16*1
IP Code	IP65
Packing Information	G.W.:22Kg QTY:10 pcs MEAS.:450*410*660mm

Specifications	
Material	PC+ABS/ABS
L*W*H (mm)	393*198*98
Max Splicing Capacity (core)	32
Max Input (mm)	Ø15
Max Output (mm)	Ø10~15
Max Adapter (Pcs)	-
PLC Splitter (Pcs)	1*16*2
IP Code	IP65
Packing Information	G.W.:23Kg QTY:10 pcs MEAS.:480*430*770mm

Termination Box FAB-HGT-24A



Main Features

- Total enclosed structure.
- Material: PC+ABS.
- Wet-proof, water-proof, dust-proof, anti-aging.
- Protection level up to IP65.
- Cable, pigtails, patch cords are running through own path without disturbing each other.
- Wall-mounted or poled-mounted, suitable for both indoor and outdoor uses.

Specifications

Material	PC+ABS/ABS
L*W*H (mm)	345*259*90
Max Splicing Capacity (core)	96
Max Input (mm)	18
Max Output (mm)	2*3~5
Max Adapter (Pcs)	18
PLC Splitter (Pcs)	4*(1*8)
IP Code	IP65
Packing Information	G.W.:18.5Kg QTY:10 pcs MEAS.:560*370*535mm

Termination Box FAB-HGT-24C



Main Features

- Total enclosed structure.
- Material: PP+GF.
- Wet-proof, water-proof, dust-proof, anti-aging.
- Protection level up to IP68.
- Cable, pigtails, patch cords are running through own path without disturbing each other.
- Wall-mounted or poled-mounted, suitable for both indoor and outdoor uses.

Specifications

Material	PC+ABS/ABS
L*W*H (mm)	345*259*90
Max Splicing Capacity (core)	96
Max Input (mm)	18
Max Output (mm)	2*3~5
Max Adapter (Pcs)	18
PLC Splitter (Pcs)	4*(1*8)
IP Code	IP68
Packing Information	G.W.:18.5Kg QTY:10 pcs MEAS.:560*370*535mm



Main Features

- Total enclosed structure.
- Material: PP+GF.
- Wet-proof, water-proof, dust-proof, anti-aging.
- Protection level up to IP68.
- Cable, pigtails, patch cords are running through own path without disturbing each other.
- Wall-mounted or poled-mounted, suitable for both indoor and outdoor uses.

Main Features

- Total enclosed structure.
- Material: PP+GF.
- Wet-proof, water-proof, dust-proof, anti-aging.
- Protection level up to IP68.
- Cable, pigtails, patch cords are running through own path without disturbing each other.
- Wall-mounted or poled-mounted, suitable for both indoor and outdoor uses.

Specifications	
Material	PC+ABS/ABS
L*W*H (mm)	345*259*90
Max Splicing Capacity (core)	96
Max Input (mm)	18
Max Output (mm)	2*3~5
Max Adapter (Pcs)	18
PLC Splitter (Pcs)	4*(1*8)
IP Code	IP68
Packing Information	G.W.:18.5Kg QTY:10 pcs MEAS.:560*370*535mm

Specifications	
Material	PC+ABS/ABS
L*W*H (mm)	345*259*90
Max Splicing Capacity (core)	96
Max Input (mm)	18
Max Output (mm)	2*3~5
Max Adapter (Pcs)	18
PLC Splitter (Pcs)	4*(1*8)
IP Code	IP68
Packing Information	G.W.:18.5Kg QTY:10 pcs MEAS.:560*370*535mm



Termination Box FAB-HGT-24G



Main Features

- Total enclosed structure.
- Material: PP+GF.
- Wet-proof, water-proof, dust-proof, anti-aging.
- Protection level up to IP65.
- Cable, pigtails, patch cords are running through own path without disturbing each other.
- Wall-mounted or poled-mounted, suitable for both indoor and outdoor uses.

Specifications

Material	PC+ABS/ABS
L*W*H (mm)	345*259*90
Max Splicing Capacity (core)	96
Max Input (mm)	18
Max Output (mm)	2*3~5
Max Adapter (Pcs)	18
PLC Splitter (Pcs)	4*(1*8)
IP Code	IP65
Packing Information	G.W.:18.5Kg QTY:10 pcs MEAS.:560*370*535mm

Termination Box FAB-HGT-24H-1

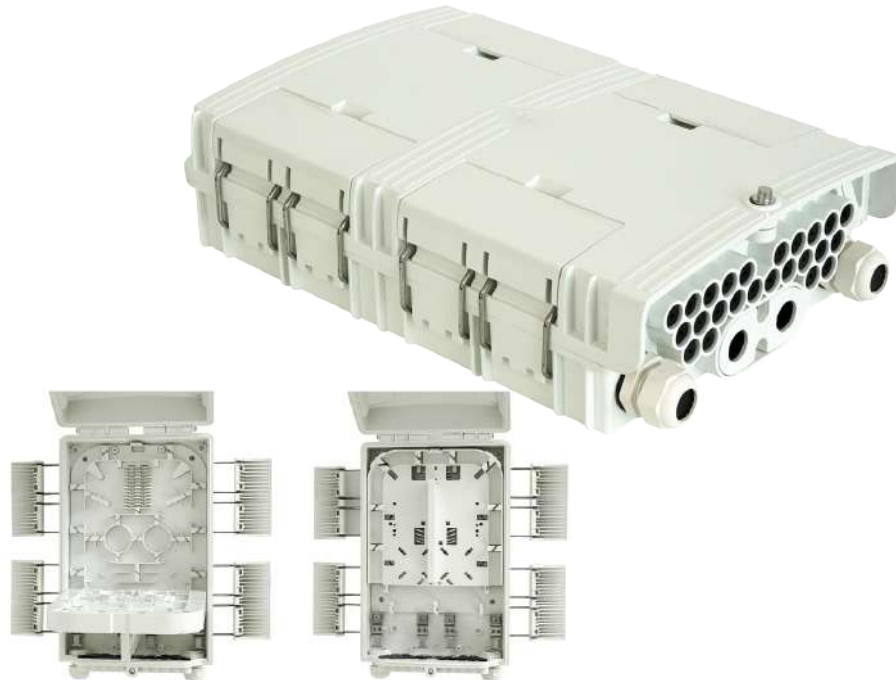


Main Features

- Total enclosed structure.
- Material: PC+ABS.
- Wet-proof, water-proof, dust-proof, anti-aging.
- Protection level up to IP65.
- Cable, pigtails, patch cords are running through own path without disturbing each other.
- Wall-mounted or poled-mounted, suitable for both indoor and outdoor uses.

Specifications

Material	PC+ABS/PP
L*W*H (mm)	250*340*110
Max Splicing Capacity (core)	24
Max Input (mm)	14
Max Output (mm)	2*3-Ø6
Max Adapter (Pcs)	24
PLC Splitter (Pcs)	-
IP Code	IP65
Packing Information	G.W.:19.6Kg QTY:10 pcs MEAS.:600*380*700mm



Main Features

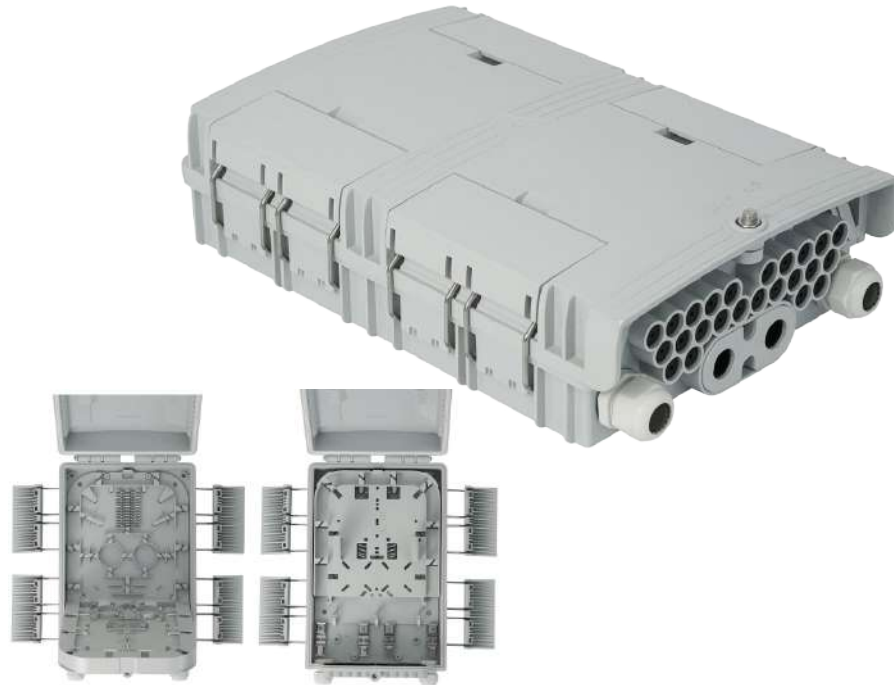
- Total enclosed structure.
- Material: PC+ABS.
- Wet-proof, water-proof, dust-proof, anti-aging.
- Protection level up to IP65.
- Cable, pigtails, patch cords are running through own path without disturbing each other.
- Wall-mounted or poled-mounted, suitable for both indoor and outdoor uses.

Main Features

- Total enclosed structure.
- Material: PC+ABS.
- Wet-proof, water-proof, dust-proof, anti-aging.
- Protection level up to IP65.
- Cable, pigtails, patch cords are running through own path without disturbing each other.
- Wall-mounted or poled-mounted, suitable for both indoor and outdoor uses.

Specifications	
Material	PC+ABS/PP
L*W*H (mm)	351*210*87
Max Splicing Capacity (core)	24
Max Input (mm)	14
Max Output (mm)	2*3~5
Max Adapter (Pcs)	24
PLC Splitter (Pcs)	-
IP Code	IP65
Packing Information	G.W.:20.3Kg QTY:10 pcs MEAS.:490*375*545mm

Specifications	
Material	PC+ABS/PP
L*W*H (mm)	351*210*87
Max Splicing Capacity (core)	24
Max Input (mm)	15
Max Output (mm)	2*3~5
Max Adapter (Pcs)	24
PLC Splitter (Pcs)	-
IP Code	IP65
Packing Information	G.W.:20.3Kg QTY:10 pcs MEAS.:490*375*545mm



Main Features

- Total enclosed structure.
- Material: PC+ABS.
- Wet-proof, water-proof, dust-proof, anti-aging.
- Protection level up to IP65.
- Cable, pigtails, patch cords are running through own path without disturbing each other.
- Wall-mounted or poled-mounted, suitable for both indoor and outdoor uses.

Specifications	
Material	PC+ABS/PP
L*W*H (mm)	351*210*87
Max Splicing Capacity (core)	24
Max Input (mm)	15
Max Output (mm)	2*3~Ø5
Max Adapter (Pcs)	24
PLC Splitter (Pcs)	-
IP Code	IP65
Packing Information	G.W.:20.3Kg QTY:10 pcs MEAS.:490*375*545mm



Main Features

- Advanced structure design, easy operation and reasonable routing.
- Material: PP.
- Moisture proof, waterproof, dust-proof, anti-aging.
- Protection level up to IP68.
- 1 oval optical cable entry, 2 branch optical cable entries and 24 pcs of household.
- Installation method: pole-mounted, wall-mounted, aerial-mounted.

Specifications	
Material	PC+ABS/PP
L*W*H (mm)	378*255*136
Max Splicing Capacity (core)	108
Max Input (mm)	Ø18
Max Output (mm)	2*3~Ø7
Max Adapter (Pcs)	24
PLC Splitter (Pcs)	-
IP Code	IP68
Packing Information	G.W.:29Kg QTY:8Pcs MEAS.: 540*405*620mm

Termination Box FAB-HGT-32B



Main Features

- Total enclosed structure.
- Material: PC+ABS.
- Wet-proof, water-proof, dust-proof, anti-aging.
- Protection level up to IP65.
- Cable, pigtails, patch cords are running through own path without disturbing each other.
- Wall-mounted or poled-mounted, suitable for both indoor and outdoor uses.

Specifications

Material	PC+ABS/PP
L*W*H (mm)	420*320*140
Max Splicing Capacity (core)	32
Max Input (mm)	-
Max Output (mm)	-
Max Adapter (Pcs)	-
PLC Splitter (Pcs)	32
IP Code	IP65
Packing Information	G.W.:25.8Kg QTY:6 pcs MEAS.:730*440*480mm

Termination Box FAB-HGT-32C



Main Features

- Total enclosed structure.
- Material: PC+ABS.
- Wet-proof, water-proof, dust-proof, anti-aging.
- Protection level up to IP65.
- Cable, pigtails, patch cords are running through own path without disturbing each other.
- Wall-mounted or poled-mounted, suitable for both indoor and outdoor uses.

Specifications

Material	PC+ABS/PP
L*W*H (mm)	261*341*108
Max Splicing Capacity (core)	32
Max Input (mm)	-
Max Output (mm)	-
Max Adapter (Pcs)	-
PLC Splitter (Pcs)	32
IP Code	IP65
Packing Information	G.W.:20.3Kg QTY:10 pcs MEAS.:490*375*545mm



Main Features

- Advanced structure design, easy operation and reasonable routing.
- Material: PP.
- Moisture proof, waterproof, dust-proof, anti-aging.
- Protection level up to IP65.
- 6 cable entries.
- Installation method: pole-mounted, wall-mounted, aerial-mounted.

Main Features

- Total enclosed structure.
- Material: PC+ABS, wet-proof, water-proof, dust-proof, anti-aging, protection level up to IP65
- Clamping for feeder cable and drop cable, fiber splicing, fixation, storage, distribution...etc all in one.
- Cable, pigtails, patch cords are running through own path without disturbing each other, cassette type LC adaptor installation, easy maintenance.
- Distribution panel can be flipped up, feeder cable can be placed in a cup-joint way, easy for maintenance and installation.

Specifications	
Material	PC+ABS / PP
L*W*H (mm)	383*205*120
Fusion capacity (Max)	48
Number of optical cable holes	6 cable entry
Micro PLC Splitter	1x2; 1x4; 1x8; 1x16
Into the largest cable diameter (mm)	Ø12
Cable outlet size(mm)	2*3~Ø 7
IP Code	IP65

Specifications	
Material	PC+ABS / PP
L*W*H (mm)	345*158*108
Max Splicing Capacity (core)	72
Into the largest cable diameter (mm)	11
Cable outlet size	2*3
IP code	IP65
Máx. Capacity	36 SC



Main Features

- Total enclosed structure.
- Material: PC+ABS.
- Wet-proof, water-proof, dust-proof, anti-aging.
- Protection level up to IP65.
- Cable, pigtailed, patch cords are running through own path without disturbing each other.
- Wall-mounted or poled-mounted, suitable for both indoor and outdoor uses.

Specifications	
Material	PC+ABS/PP
L*W*H (mm)	420*320*130
Max Splicing Capacity (core)	96
Max Input (mm)	-
Max Output (mm)	-
Max Adapter (Pcs)	48
PLC Splitter (Pcs)	-
IP Code	IP65
Packing Information	G.W.:17.7Kg QTY:6 pcs MEAS.:755*460*480mm



Main Features

- Total enclosed structure.
- Material: PC+ABS.
- Wet-proof, water-proof, dust-proof, anti-aging.
- Protection level up to IP65.
- Cable, pigtailed, patch cords are running through own path without disturbing each other.
- Wall-mounted.

Specifications	
Material	PC+ABS/PP
L*W*H (mm)	462*302*123
Max Splicing Capacity (core)	96
Max Input (mm)	Ø12
Max Output (mm)	2*3
Max Adapter (Pcs)	64
PLC Splitter (Pcs)	1*8*8
IP Code	IP65
Packing Information	G.W.:21Kg QTY:6 pcs MEAS.:640*495*450mm



Fiber Optic Access Terminal Panel



FAB-FFS-1AB
 Max. Adapter: 1 pc
 Size: 93*83*29
 Max. input: 2*3



FAB-FFS-1AB-1
 Max. Adapter: 1 pc
 Size: 93*83*29
 Max. input: 2*3



FAB-FFS-1B
 Max. Adapter: 1 pc
 Size: 116*85*22
 Max. input: 2*3



FAB-FFS-1C
 Max. Adapter: 1 pc
 Size: 148*90*16
 Max. input: 2*3 ~ Ø6



FAB-FFS-1E
 Max. Adapter: 1 pc
 Size: 95*55*20
 Max. input: 2*3 ~ Ø6



FAB-FFS-1F
 Max. Adapter: 1 pc
 Size: 90*25*16mm
 Max. input: 2*3 ~ Ø6



FAB-FFS-2C
 Max. Adapter: 2 pc
 Size: 86*86*24
 Max. input: 2*3



FAB-FFS-2D-1
 Max. Adapter: 2 pc
 Size: 108*83*23
 Max. input: Ø3 ~ Ø6

Fiber Optic Access Terminal Panel



FAB-FFS-2F
 Max. Adapter: 1 pc
 Size: 93*83*29
 Max. input: 2*3



FAB-FFS-2H-1
 Max. Adapter: 1 pc duplex
 Size: 124*80*27
 Max. input: 2*3



FAB-FFS-2D
 Max. Adapter: 2 pc
 Size: 105*82*23
 Max. input: 2*3 ~ Ø6



FAB-FFS-2P
 Max. Adapter: 2 pcs
 Size: 115*80*25
 Max. input: 5*8



FAB-FFS-2EF
 Max. Adapter: 2 pc (RJ11,
 RJ45 and two SC adapters)
 Size: 105*82*23
 Max. input: 2*3



FAB-FFS-4A
 Max. Adapter: 4 pc
 Size: 150*110*30
 Max. input: 2*3



FAB-FFS-2G
 Max. Adapter: 2 pc
 Size: 116*70*18
 Max. input: Ø3 ~ Ø7



FAB-FFS-4B
 Max. Adapter: 4 pc
 Size: 100*80*29
 Max. input: 2*3 ~ Ø7



FAB-FFS-2H
 Max. Adapter: 2 pc
 Size: 130*83*24
 Max. input: 2*3



FAB-FRB-4D
 Max. Adapter: 4 pc
 Size: 80*80*31
 Max. input: 2*3 ~ Ø7



FIBRAMÉRICA

FIBRAMÉRICA | Míngqíng Fíbrameríca Technology Co., Ltd
Nº. 42, Baijín East Road, Baijín Industrial Park,
Baizhóng Town, Míngqíng County, Fuzhou, Fujian, China
Phone: +86 18621754882

Office in America

Rua Arthur Max Dóse, 153, Sala 1302
Balneário Camboriú - Brazil - Phone: (+55) 47 2033 2231
Contact: comercial@fbramerica.com